

## Features

- Analog Switch Voltage: 3.3V, 5V, 10V
- Low ON-State Resistance:
  - typical 50Ω at Vs = 9V
  - typical 60Ω at Vs = 4.5V
  - typical 300Ω at Vs = 3V
- Bandwidth: 200 MHz
- Fast switching times: t<sub>ON</sub> = 60ns, t<sub>OFF</sub> = 50ns
- Break-Before-Make Switching
- Operation Temperature Range: -40°C to 125°C

## Applications

- Industry control systems
- Battery-powered systems
- Audio Signal Routing
- Instrumentation

## Description

The TPW4066 is a four channel single-pole single-throw analog switch (SPDT) suitable for use in analog or digital multiplexer/demultiplexer applications. The switch features four digital select inputs (S1, S2, S3, S4), to control four independent switch.

The device is designed on an enhanced process that provides lower power dissipation yet gives high switching speeds. These devices can operate equally well as either multiplexers or demultiplexers and have an input range that extends to the supplies.

## Switch Selection Guide

Product	Switch Configuration	Supply Voltage(V)	Ron(OHM)	Bandwidth(MHz)	Package
TPW4051	8:1	12	50	200	SOIC-16, TSSOP-16, QFN-16
TPW4052	(4:1)*2	12	50	200	SOIC-16, TSSOP-16
TPW4053	(2:1)*3	12	50	200	SOIC-16, TSSOP-16
TPW4054	4:1	12	50	200	MSOP-10
TPW4066	(1:1)*4	12	50	200	SOP-14, TSSOP-14
TPW3111	1:1	5.5	1	100	SC70-5
TPW3115	1:1	5.5	5	250	SC70-5, SOT23-5
TPW4157	2:1	5.5	1	100	SC70-6
TPW3157A	2:1	5.5	2	100	SC70-6
TPW3221	(2:1)*2	5.5	1	100	MSOP-10
TPW3223	(2:1)*2	5.5	1	100	QFN-10, 1.4*1.8mm

## Table of Contents

<b>Features</b> .....	<b>1</b>
<b>Applications</b> .....	<b>1</b>
<b>Description</b> .....	<b>1</b>
<b>Switch Selection Guide</b> .....	<b>1</b>
<b>Table of Contents</b> .....	<b>2</b>
<b>Revision History</b> .....	<b>3</b>
<b>Order Information</b> .....	<b>3</b>
<b>Pin Configuration, Description and Functional Table</b> <sup>Note 1</sup> .....	<b>4</b>
<b>Absolute Maximum Ratings</b> <sup>Note 1</sup> .....	<b>5</b>
<b>ESD Rating</b> .....	<b>5</b>
<b>Thermal Information</b> .....	<b>5</b>
<b>Recommended Operating Conditions</b> <sup>Note 1</sup> .....	<b>5</b>
<b>Electrical Characteristics</b> .....	<b>6</b>
Single Supply, $V_{CC} = 4.5$ to $5.5V$ , $GND = 0V$ , unless otherwise noted. ....	<b>6</b>
Single Supply, $V_{CC} = 3$ to $3.6V$ , $GND = 0V$ , unless otherwise noted. ....	<b>7</b>
Single Supply, $V_{CC} = 9V$ to $11V$ , $GND = 0V$ , unless otherwise noted. ....	<b>8</b>
<b>Typical Performance Characteristics</b> .....	<b>9</b>
<b>Test Circuit and Waveforms</b> .....	<b>10</b>
<b>Application Information</b> .....	<b>11</b>
<b>Tape and Reel Information</b> .....	<b>12</b>
<b>Package Outline Dimensions</b> .....	<b>13</b>
SOIC-14 .....	<b>13</b>
TSSOP-14 .....	<b>13</b>
<b>IMPORTANT NOTICE AND DISCLAIMER</b> .....	<b>14</b>

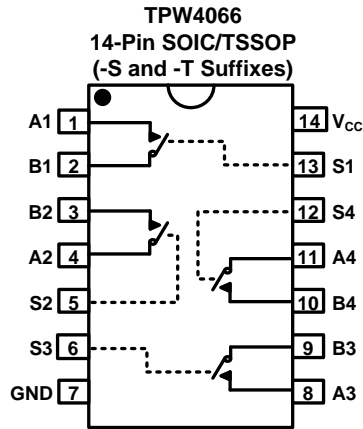
## Revision History

Date	Revision	Notes
2019/12/28	Rev.Pre	Pre-Release Version
2020/3/31	Rev.A	Initial version

## Order Information

Order Number	Operating Temperature Range	Package	Marking Information	MSL	Transport Media, Quantity
TPW4066-SR	-40 to 125°C	14-Pin SOIC	W4066	3	Tape and Reel, 2500
TPW4066-TR	-40 to 125°C	14-Pin TSSOP	W4066	3	Tape and Reel, 3000

Pin Configuration, Description and Functional Table <sup>Note 1</sup>



Pin Description

Pin No.	Pin Name	Input / Output	Description	Pin No.	Pin Name	Input / Output	Description
1	A1	Input / Output	Channel 1 input or output	8	A3	Input / Output	Channel 3 input or output
2	B1	Input / Output	Channel 1 input or output	9	B3	Input / Output	Channel 3 input or output
3	B2	Input / Output	Channel 2 input or output	10	B4	Input / Output	Channel 4 input or output
4	A2	Input / Output	Channel 2 input or output	11	A4	Input / Output	Channel 4 input or output
5	S2	Input	Channel 2 select input	12	S4	Input	Channel 4 select input
6	S3	Input	Channel 3 select input	13	S1	Input	Channel 1 select input
7	GND		Ground	14	V <sub>cc</sub>		Power Supply

Functional Table

Sx	Switich Channel
L	OFF
H	ON

## Absolute Maximum Ratings Note 1

Parameters	Rating
Supply Voltage, $V_{CC}$ - GND	-0.5V to 13V
Analog Switch Voltage	- 0.5V to $V_{CC} + 0.5V$
Analog Switch Current	$\pm 25mA$
Analog Switch Diode Current	$\pm 20mA$
Digital Input Voltage, /E, S2, S1, S0	GND to $V_{CC} + 0.5V$
Digital Input Diode Current	$\pm 20mA$
Maximum Junction Temperature	150°C
Storage Temperature Range	-65 to 150°C
Lead Temperature (Soldering, 10 sec)	260°C

Note 1: Stresses beyond those listed under Absolute Maximum Ratings may cause permanent damage to the device. Exposure to any Absolute Maximum Rating condition for extended periods may affect device reliability and lifetime.

## ESD Rating

Symbol	Parameter	Condition	Minimum Level	Unit
HBM	Human Body Model ESD	ANSI/ESDA/JEDEC JS-001	1	kV
CDM	Charged Device Model ESD	ANSI/ESDA/JEDEC JS-002	1	kV

## Thermal Information

Package Type	$\theta_{JA}$	$\theta_{JC}$	Unit
16-Pin SOIC	100	50	°C/W
16-Pin TSSOP	150	60	°C/W

## Recommended Operating Conditions Note 1

Over operating temperature range

Parameters	Min	Max	Unit
Supply Voltage, $V_{CC}$	3	12	V
Select Input Voltage	0	$V_{CC}$	V
Input Transition Rise and Fall Rate		100	ns/V
Switch I/O Port Voltage	GND	$V_{CC}$	V
Operating Temperature Range	-40	125	°C

Note 1: Select input must be held HIGH or LOW and it must not float.

## Electrical Characteristics

Single Supply,  $V_{CC} = 4.5$  to  $5.5V$ ,  $GND = 0V$ , unless otherwise noted.

Symbol	Parameter	Conditions	$V_{CC}$ (V)	25°C	-40°C to 85°C	-40°C to 125°C	Limit	Unit
<b>Power Supply</b>								
$I_{CC}$	Quiescent Supply Current	$V_{IN} = 0V$ or $V_{CC}$	5.5	4	6	8	Max	$\mu A$
<b>Digital Input</b>								
$V_{IH}$	Input Voltage High				2.0	2.0	Min	V
$V_{IL}$	Input Voltage Low				0.8	0.8	Max	V
$I_{IN}$	Control Input Leakage	$V_{IN} = 0V$ or $V_{CC}$	5.5	$\pm 0.4$	$\pm 1$	$\pm 1$	Max	$\mu A$
<b>Analog Switch</b>								
$R_{ON}$		$I_{OUT} = 1mA$ , $V_{IS} = GND$ or $V_{CC}$	4.5	60			Typ	$\Omega$
$R_{ON}$		$I_{OUT} = 1mA$ , $V_{IS} = GND$ or $V_{CC}$	4.5	100	130	150	Max	$\Omega$
$\Delta R_{ON}$	On Resistance Match between Channels	$I_{OUT} = 1mA$ , $V_{IS} = 2.5V$	4.5	20	30	35	Max	$\Omega$
$R_{FLAT(ON)}$	On Resistance Flatness	$I_{OUT} = 1mA$	4.5	60	80	80	Max	$\Omega$
$I_{CH(OFF)}$	Switch OFF Leakage Current on Channel	$V_{IS} = GND$ , $V_{OS} = V_{CC}$ ; or $V_{IS} = V_{CC}$ , $V_{OS} = GND$	5.5	$\pm 0.4$	$\pm 1$	$\pm 1$	Max	$\mu A$
$I_{COM(OFF)}$	Switch OFF Leakage Current on Common	$V_{IS} = GND$ , $V_{OS} = V_{CC}$ ; or $V_{IS} = V_{CC}$ , $V_{OS} = GND$ ,	5.5	$\pm 0.4$	$\pm 2$	$\pm 2$	Max	$\mu A$
$I_{(ON)}$	Switch ON Leakage Current	$V_{IS} = GND$ or $V_{CC}$	5.5	$\pm 0.4$	$\pm 2$	$\pm 2$	Max	$\mu A$
<b>Dynamic Characteristics</b>								
$t_{PHL}$ , $t_{PLH}$	Switch IN to OUT time	$C_L = 50pF$	4.5	5			Typ	ns
$t_{ON}$	Switch turn-on time	$C_L = 50pF$	4.5	60			Max	ns
$t_{OFF}$	Switch turn-off time	$C_L = 50pF$	4.5	50			Max	ns
	OFF-Isolation	$f = 1MHz$ , $R_L = 50\Omega$ , $C_L = 10pF$	5	-70			Typ	dB
	Crosstalk in channel	$f = 1MHz$ , $R_L = 50\Omega$ , $C_L = 10pF$	5	-70			Typ	dB
	Crosstalk in control	Between control and any switch; $R_L = 600\Omega$ ; $f = 1MHz$ ; E or Sn square wave between $V_{CC}$ and GND	5	110			Typ	mV
BW	Bandwidth	$R_L = 50\Omega$	5	200			Typ	MHz
THD	Total Harmonic Distortion	$R_L = 10k\Omega$ , $f = 1kHz$	5	0.05			Typ	%
<b>Capacitance</b>								
$C_{IN}$	Switch Input Capacitance		5	5			Typ	pF
$C_{COM}$	Common Output Capacitance		5	12			Typ	pF
$C_{PD}$	Power Dissipation Capacitance		5	50			Typ	pF

**Single Supply, V<sub>CC</sub> = 3 to 3.6V, GND = 0V, unless otherwise noted.**

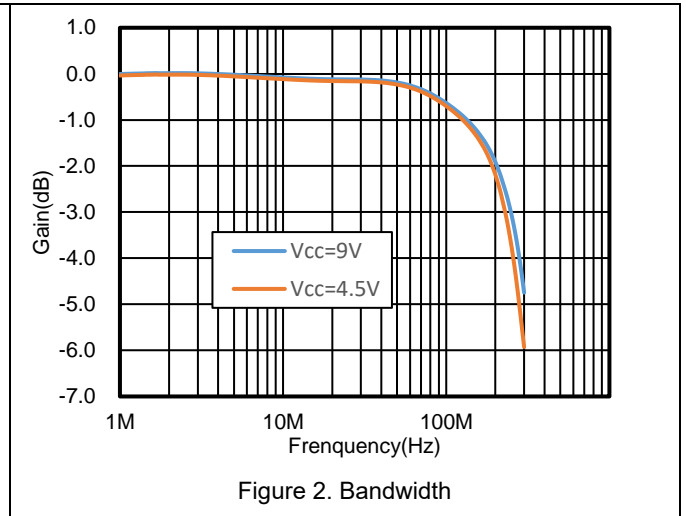
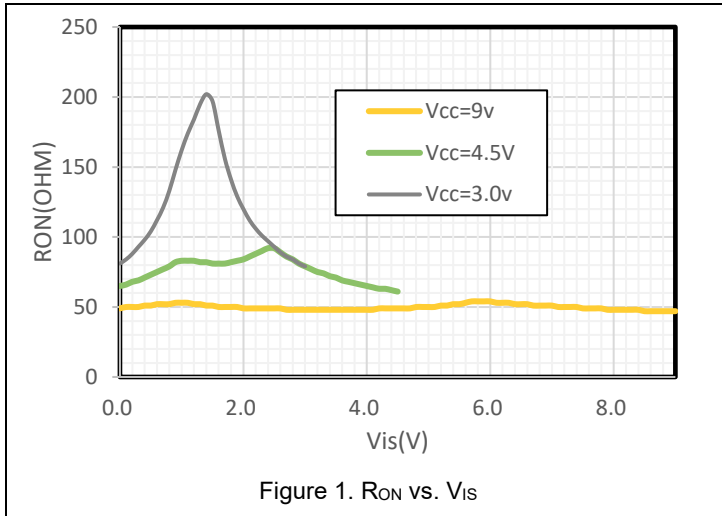
Symbol	Parameter	Conditions	V <sub>CC</sub> (V)	25°C	-40°C to 85°C	-40°C to 125°C	Limit	Unit
<b>Power Supply</b>								
I <sub>CC</sub>	Quiescent Supply Current	V <sub>IN</sub> = 0V or V <sub>CC</sub>	3.6	4	6	8	Max	μA
<b>Digital Input</b>								
V <sub>IH</sub>	Input Voltage High				2.0	2.0	Min	V
V <sub>IL</sub>	Input Voltage Low				0.8	0.8	Max	V
I <sub>IN</sub>	Control Input Leakage	V <sub>IN</sub> = 0V or V <sub>CC</sub>	3.6		±1	±1	Max	μA
<b>Analog Switch</b>								
R <sub>ON</sub>		I <sub>OUT</sub> = 1mA, V <sub>IS</sub> = GND or V <sub>CC</sub>	3	300			Typ	Ω
R <sub>FLAT(ON)</sub>	On Resistance Flatness	I <sub>OUT</sub> = 1mA	3	100			Typ	Ω
I <sub>CH(OFF)</sub>	Switch OFF Leakage Current on Channel	V <sub>IS</sub> = GND, V <sub>OS</sub> = V <sub>CC</sub> ; or V <sub>IS</sub> = V <sub>CC</sub> , V <sub>OS</sub> = GND	3.6	±0.4	±1	±1	Max	μA
I <sub>COM(OFF)</sub>	Switch OFF Leakage Current on Common	V <sub>IS</sub> = GND, V <sub>OS</sub> = V <sub>CC</sub> ; or V <sub>IS</sub> = V <sub>CC</sub> , V <sub>OS</sub> = GND,	3.6	±0.4	±2	±2	Max	μA
I <sub>(ON)</sub>	Switch ON Leakage Current	V <sub>IS</sub> = GND or V <sub>CC</sub>	3.6	±0.4	±2	±2	Max	μA
<b>Dynamic Characteristics</b>								
t <sub>PHL</sub> , t <sub>PLH</sub>	Switch IN to OUT time	C <sub>L</sub> = 50pF	3	5			Typ	ns
t <sub>ON</sub>	Switch turn-on time	C <sub>L</sub> = 50pF	3	70			Max	ns
t <sub>OFF</sub>	Switch turn-off time	C <sub>L</sub> = 50pF	3	60			Max	ns
	OFF-Isolation	f = 1MHz, R <sub>L</sub> = 50Ω, C <sub>L</sub> = 10pF	3.3	-70			Typ	dB
	Crosstalk	f = 1MHz, R <sub>L</sub> = 50Ω, C <sub>L</sub> = 10pF	3.3	-70			Typ	dB
	Crosstalk in control	Between control and any switch; R <sub>L</sub> = 600Ω; f = 1 MHz; E or Sn square wave between V <sub>CC</sub> and GND	3.3	110			Typ	mV
BW	Bandwidth	R <sub>L</sub> = 50Ω	3.3	100			Typ	MHz
THD	Total Harmonic Distortion	R <sub>L</sub> = 10kΩ, f = 1kHz	3.3	0.2			Typ	%
<b>Capacitance</b>								
C <sub>IN</sub>	Switch Input Capacitance		3.3	5			Typ	pF
C <sub>COM</sub>	Common Output Capacitance		3.3	12			Typ	pF
C <sub>PD</sub>	Power Dissipation Capacitance		3.3	50			Typ	pF

**Single Supply, V<sub>CC</sub> = 9V to 11V, GND = 0V, unless otherwise noted.**

Symbol	Parameter	Conditions	V <sub>CC</sub> (V)	25°C	-40°C to 85°C	-40°C to 125°C	Limit	Unit
<b>Power Supply</b>								
I <sub>CC</sub>	Quiescent Supply Current	V <sub>IN</sub> = 0V or V <sub>CC</sub>	9	8	12	16	Max	μA
<b>Digital Input</b>								
V <sub>IH</sub>	Input Voltage High				2.4	2.4	Min	V
V <sub>IL</sub>	Input Voltage Low				0.8	0.8	Max	V
I <sub>IN</sub>	Control Input Leakage	V <sub>IN</sub> = 0V or V <sub>CC</sub>	11	±0.4	±1	±1	Max	μA
<b>Analog Switch</b>								
R <sub>ON</sub>		I <sub>OUT</sub> = 1mA, V <sub>IS</sub> = GND or V <sub>CC</sub>	9	50			Typ	Ω
R <sub>ON</sub>		I <sub>OUT</sub> = 1mA, V <sub>IS</sub> = GND or V <sub>CC</sub>	9	80	95	105	Max	Ω
ΔR <sub>ON</sub>	On Resistance Match between Channels	I <sub>OUT</sub> = 1mA, V <sub>IS</sub> = 1V	9	15	25	30	Max	Ω
R <sub>FLAT(ON)</sub>	On Resistance Flatness	I <sub>OUT</sub> = 1mA	9	30	40	40	Max	Ω
I <sub>CH(OFF)</sub>	Switch OFF Leakage Current on Channel	V <sub>IS</sub> = GND, V <sub>OS</sub> = V <sub>CC</sub> ; or V <sub>IS</sub> = V <sub>CC</sub> , V <sub>OS</sub> = GND	11	±0.4	±1	±1	Max	μA
I <sub>COM(OFF)</sub>	Switch OFF Leakage Current on Common	V <sub>IS</sub> = GND, V <sub>OS</sub> = V <sub>CC</sub> ; or V <sub>IS</sub> = V <sub>CC</sub> , V <sub>OS</sub> = GND,	11	±0.4	±2	±2	Max	μA
I <sub>(ON)</sub>	Switch ON Leakage Current	V <sub>IS</sub> = GND or V <sub>CC</sub>	11	±0.4	±2	±2	Max	μA
<b>Dynamic Characteristics</b>								
t <sub>PHL</sub> , t <sub>PLH</sub>	Switch IN to OUT time	C <sub>L</sub> = 50pF	9	5			Typ	ns
t <sub>ON</sub>	Switch turn-on time	C <sub>L</sub> = 50pF	9	60			Max	ns
t <sub>OFF</sub>	Switch turn-off time	C <sub>L</sub> = 50pF	9	50			Max	ns
	OFF-Isolation	f = 1MHz, R <sub>L</sub> = 50Ω, C <sub>L</sub> = 10pF	10	-70			Typ	dB
	Crosstalk	f = 1MHz, R <sub>L</sub> = 50Ω, C <sub>L</sub> = 10pF	10	-70			Typ	dB
	Crosstalk in control	Between control and any switch; R <sub>L</sub> = 600Ω; f = 1 MHz; E or Sn square wave between V <sub>CC</sub> and GND	10	220			Typ	mV
BW	Bandwidth	R <sub>L</sub> = 50Ω	10	200			Typ	MHz
THD	Total Harmonic Distortion	R <sub>L</sub> = 10kΩ, f = 1kHz	10	0.03			Typ	%
<b>Capacitance</b>								
C <sub>IN</sub>	Switch Input Capacitance		10	5			Typ	pF
C <sub>COM</sub>	Common Output Capacitance		10	12			Typ	pF
C <sub>PD</sub>	Power Dissipation Capacitance		10	50			Typ	pF



**Typical Performance Characteristics**



**Test Circuit and Waveforms**

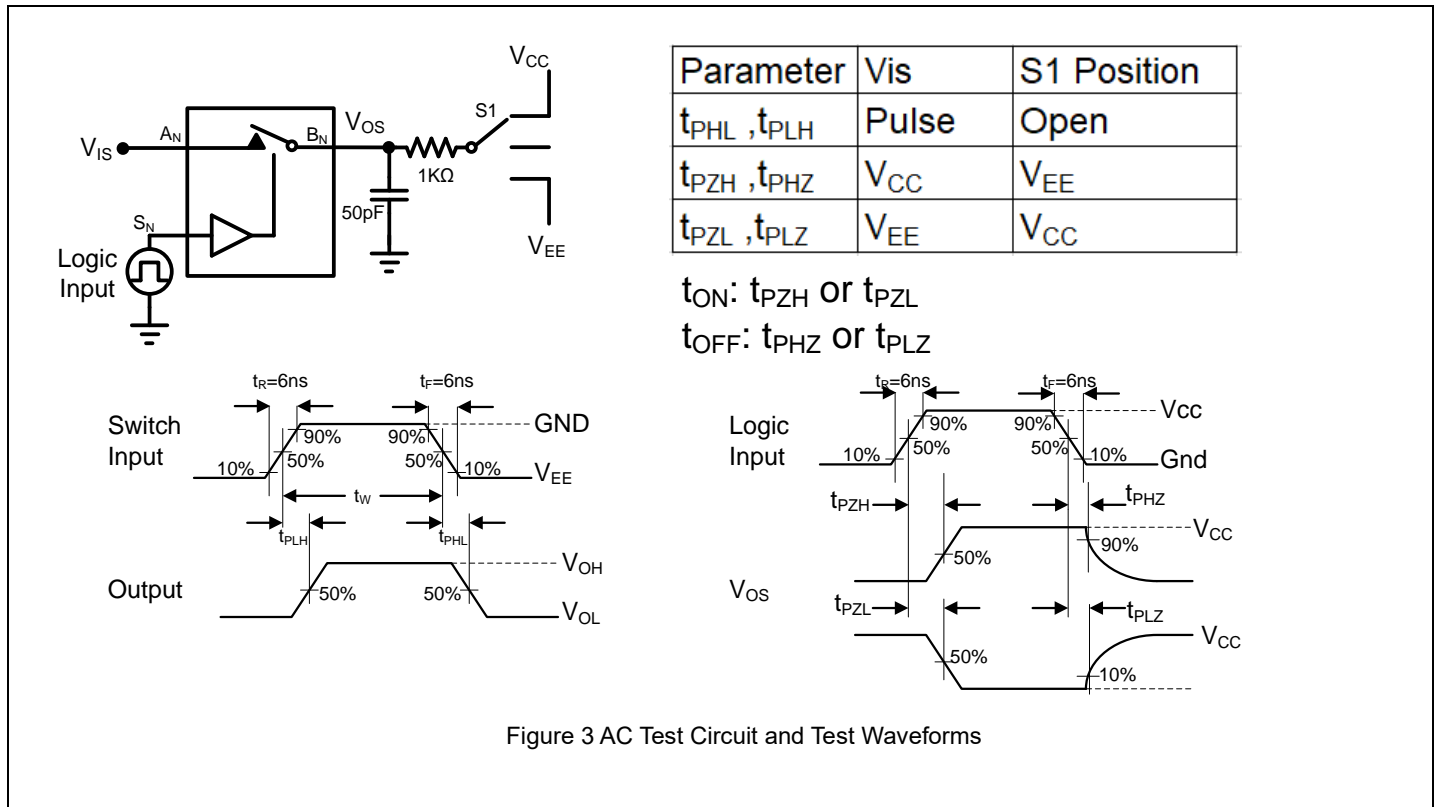


Figure 3 AC Test Circuit and Test Waveforms

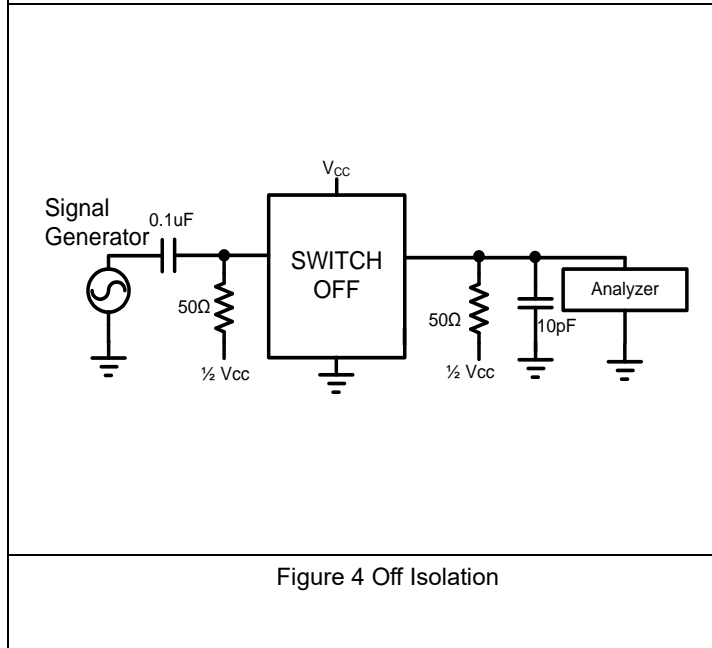


Figure 4 Off Isolation

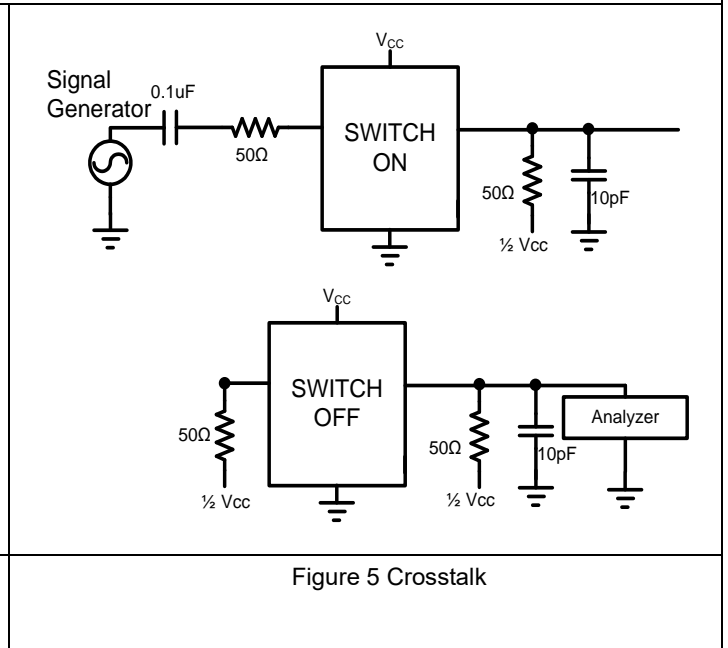
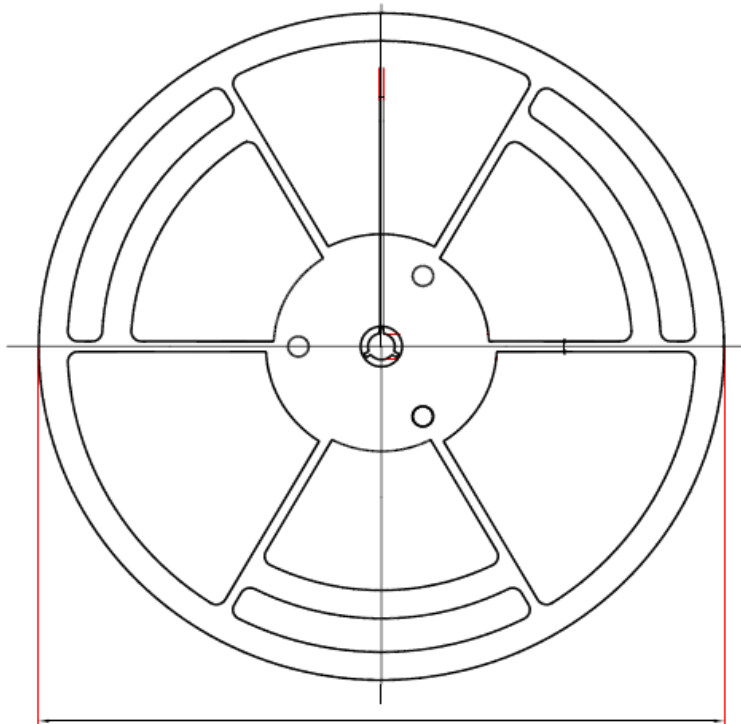


Figure 5 Crosstalk

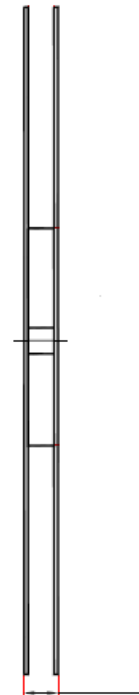
## Application Information

A 0.1- $\mu$ F bypass capacitor on V<sub>CC</sub> and GND is recommended to prevent power disturbance.

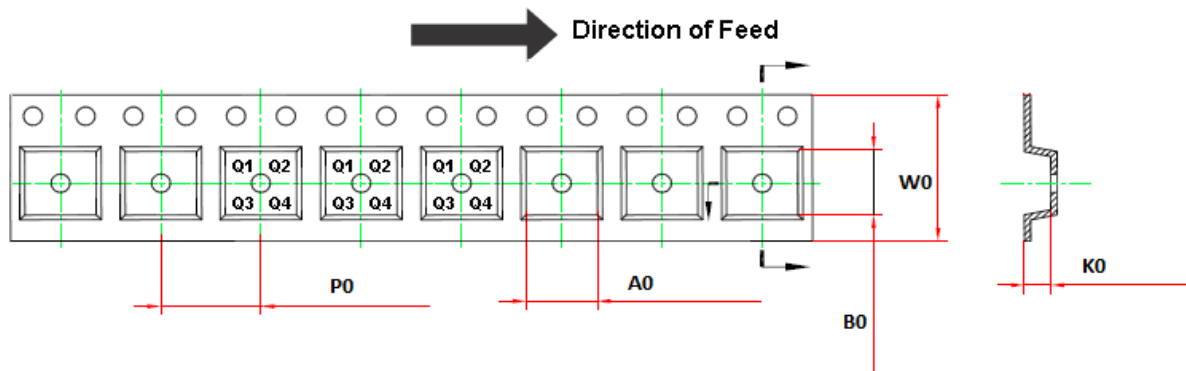
### Tape and Reel Information



D1: Reel Diameter



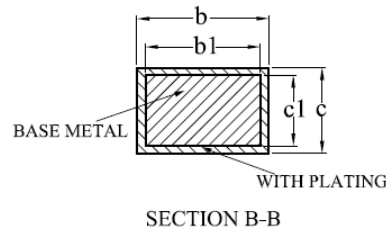
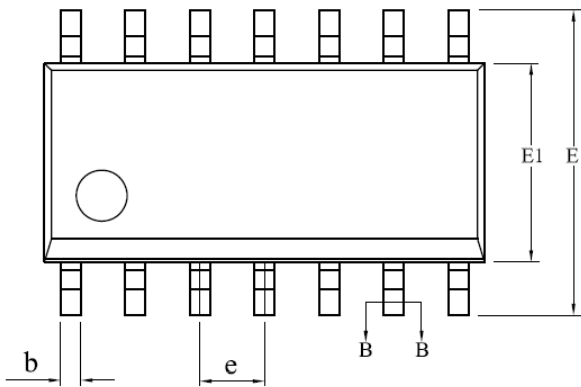
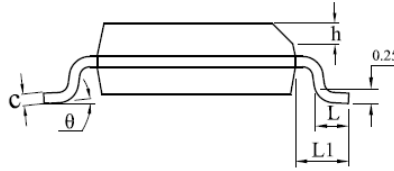
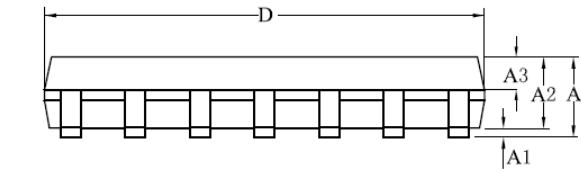
W1: Reel Width



Order Number	Package	D1	W1	A0	B0	K0	P0	W0	Pin1 Quadrant
TPW4066-SR	14-Pin SOIC	330.0	21.6	6.5	9.0	2.1	8.0	16.0	Q1
TPW4066-TR	14-Pin TSSOP	330.0	17.6	6.8	5.4	1.2	8.0	12.0	Q1

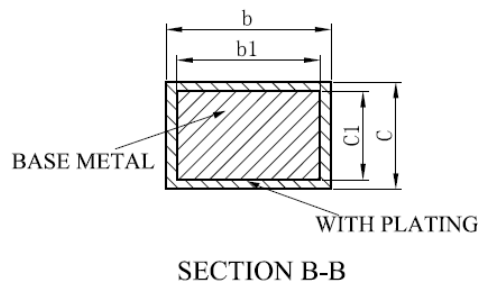
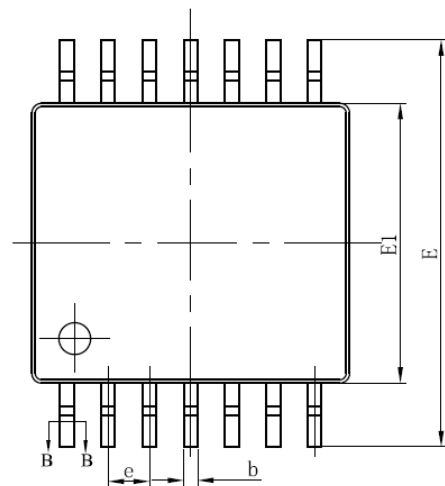
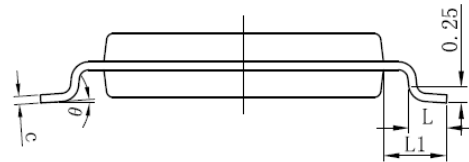
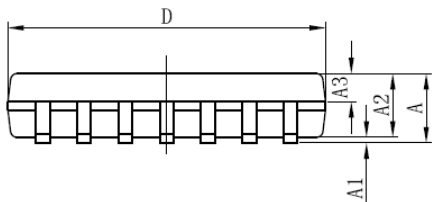
Package Outline Dimensions

SOIC-14



SYMBOL	MILLIMETER		
	MIN	NOM	MAX
A	—	—	1.75
A1	0.05	—	0.225
A2	1.30	1.40	1.50
A3	0.60	0.65	0.70
b	0.39	—	0.47
b1	0.38	0.41	0.44
c	0.20	—	0.24
c1	0.19	0.20	0.21
D	8.55	8.65	8.75
E	5.80	6.00	6.20
E1	3.80	3.90	4.00
e	1.27BSC		
h	0.25	—	0.50
L	0.50	—	0.80
L1	1.05REF		
θ	0	—	8°

TSSOP-14



SYMBOL	MILLIMETER		
	MIN	NOM	MAX
A	—	—	1.20
A1	0.05	—	0.15
A2	0.90	1.00	1.05
A3	0.39	0.44	0.49
b	0.20	—	0.28
b1	0.19	0.22	0.25
c	0.13	—	0.17
c1	0.12	0.13	0.14
D	4.90	5.00	5.10
E1	4.30	4.40	4.50
E	6.20	6.40	6.60
e	0.65BSC		
L	0.45	0.60	0.75
L1	1.00BSC		
θ	0	—	8°

## IMPORTANT NOTICE AND DISCLAIMER

**Copyright**© 3PEAK 2012-2023. All rights reserved.

**Trademarks.** Any of the 思瑞浦 or 3PEAK trade names, trademarks, graphic marks, and domain names contained in this document /material are the property of 3PEAK. You may NOT reproduce, modify, publish, transmit or distribute any Trademark without the prior written consent of 3PEAK.

**Performance Information.** Performance tests or performance range contained in this document/material are either results of design simulation or actual tests conducted under designated testing environment. Any variation in testing environment or simulation environment, including but not limited to testing method, testing process or testing temperature, may affect actual performance of the product.

**Disclaimer.** 3PEAK provides technical and reliability data (including data sheets), design resources (including reference designs), application or other design recommendations, networking tools, security information and other resources "As Is". 3PEAK makes no warranty as to the absence of defects, and makes no warranties of any kind, express or implied, including without limitation, implied warranties as to merchantability, fitness for a particular purpose or non-infringement of any third-party's intellectual property rights. Unless otherwise specified in writing, products supplied by 3PEAK are not designed to be used in any life-threatening scenarios, including critical medical applications, automotive safety-critical systems, aviation, aerospace, or any situations where failure could result in bodily harm, loss of life, or significant property damage. 3PEAK disclaims all liability for any such unauthorized use.