

Features

- Exceeds the LVDS Standard TIA/EIA-644 for High speed Data Interchange
- Low-Voltage Differential 100-Ω (typical) Line Receivers for Signaling Rates, Up to 400 Mbps, 200Mbps Clock
- 3.3-V Power Supply Design
- 6 ns Maximum Propagation Delay
- 0.1 ns Differential Skew (Typical)
- Accepts Small Swing (350 mV Typical) VID Supports Open, Short, and Terminated Input Fail-Safe
- Power Down High Impedance on LVDS Inputs
- Bus-Pin Protection: ±8 kV HBM model
- -40°C to 85°C Operation Temperature Range

Description

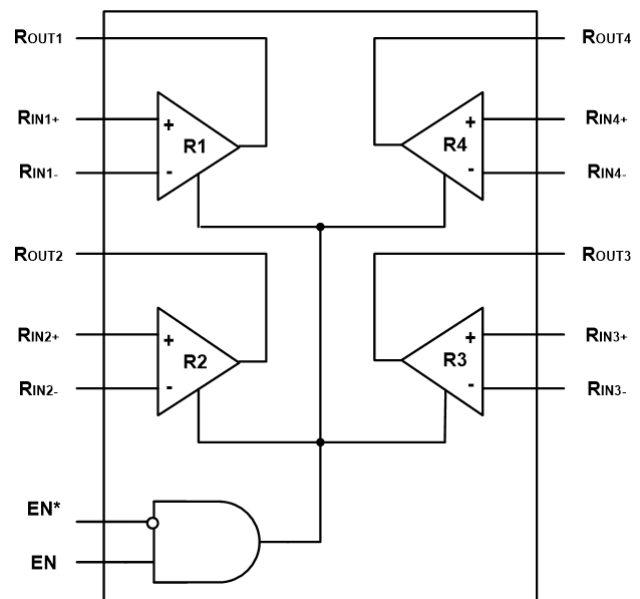
The TPT9L484 is a 3.3V 4-CH Low-Voltage Differential (LVDS) line receivers, which can support 400 Mbps data rates. Receiver inputs are protected against ±8kV ESD strikes without latch-up.

The TPT9L484 can accept low voltage differential input signals as 350 mV typical, and translates them to 3.3V CMOS output levels. The receivers support a Tri-state function that may be used to multi-channel outputs. The receivers also support open, shorted, and terminated (100 Ω) input Fail-safe, with holding output as HIGH level. The device is characterized for operation from -40°C to 85°C. The device is available in 16-lead TSSOP package.

Applications

- Backplane Multipoint Data/Clock Transmission
- Cellular Base Stations
- Network Switches and Routers
- Industrial Control
- Communication Infrastructure

Simplified Schematic



Revision History

Date	Revision	Notes
2018/12/14	Rev. Pre 0	Definition Draft
2019/02/26	Rev. Pre 0.1	Add package information
2019/06/06	Rev. Pre 0.2	Add Electrical data
2019/08/12	Rev. Pre 0.3	Update Electrical data
2019/08/23	Rev. Pre 0.4	Update Package information
2019/10/09	Rev. 0	Final version Rev. 0
2020/1/4	Rev. A	Update block diagram and Pin Functions

Order Information

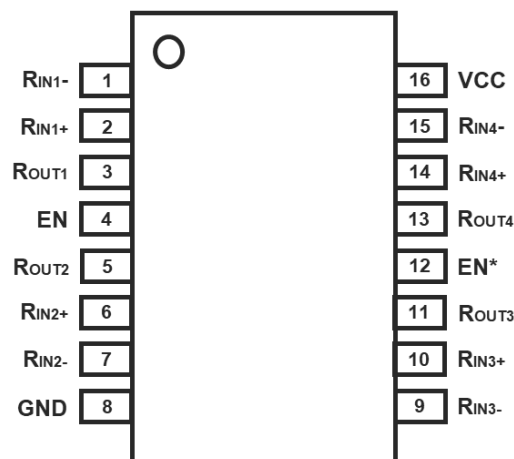
Mode Name	Order Number	Operating Temperature Range	Package	Marking Information	MSL	Transport Media, Quantity
TPT9L484	TPT9L484L1-TSR-S	-40 to 85°C	16-Pin TSSOP	T9L484	MSL1	Tape and Reel, 3000

Mark Definition:

Include symbol, part, date code (detail to how to read date code), filled by OP

Pin Configuration and Functions

TPT9L484L1-TSR
TSSOP16



Pin Functions:

Pin No.	Pin Name	I/O	Description
1	RIN1-	Bus Input	Inverting receiver input pin
2	RIN1+	Bus Input	Noninverting receiver input pin
3	ROUT1	Output	Receiver output pin
4	EN	Input	Active high enable pin, see details in Truth Table
5	ROUT2	Output	Receiver output pin
6	RIN2+	Bus Input	Noninverting receiver input pin
7	RIN2-	Bus Input	Inverting receiver input pin
8	GND	Ground	Ground
9	RIN3-	Bus Input	Inverting receiver input pin
10	RIN3+	Bus Input	Noninverting receiver input pin
11	ROUT3	Output	Receiver output pin
12	EN*	Input	Active low enable pin, see details in Truth Table
13	ROUT4	Output	Receiver output pin
14	RIN4+	Bus Input	Noninverting receiver input pin
15	RIN4-	Bus Input	Inverting receiver input pin
16	VCC	Power	Power Supply

Function Table

Truth Table

Enable		Inputs	Outputs
EN	EN*	RIN+ - RIN-	ROUT
L	H	X	Z
All other combinations of Enable inputs $VID \geq 0.1\text{ V}$ H $VID \leq -0.1\text{ V}$ L Full Fail-safe OPEN/SHORT or Terminated H		$VID \geq 0.1\text{ V}$	H
		$VID \leq -0.1\text{ V}$	L
		Full Fail-safe OPEN/SHORT or Terminated	H

Absolute Maximum Ratings

		MIN	MAX	UNIT
Supply voltage	V _{CC}	-0.3	4	V
Input voltage	R _{IN+} , R _{IN-}	-0.3	3.9	V
Enable input voltage	EN, EN*	-0.3	V _{CC} + 0.3	V
Output voltage	R _{OUT}	-0.3	V _{CC} + 0.3	V
Lead temperature, soldering (4 s)			260	°C
Maximum junction temperature, T _J			150	°C
Storage temperature, T _{stg}		-65	150	°C

ESD Rating

		Value	Unit
Human Body Model, per ANSI/ESDA/JEDEC JS-001	Bus Pin	8	kV
	All Pin Except Bus Pin	4	kV
CDM, per ANSI/ESDA/JEDEC JS-002	All Pin	1	kV
IEC-61000-4-4, EFT, Bus Pins	Bus Pin	2	kV

Thermal Information

Package Type	θ _{JA}	θ _{JC}	Unit
16-Pin TSSOP	120	60	°C/W

Recommended Operation Conditions

		Min	Typ	Max	Unit
V _{CC}	Supply voltage	3	3.3	3.6	V
V _{IH}	High-level input voltage	2		V _{CC}	V
V _{IL}	Low-level input voltage	GND		0.8	V
V _{ID}	Magnitude of differential input voltage	GND		V _{CC}	V
T _A	Operating free-air temperature	-40	25	85	°C

Electrical Characteristics – DC Parameter

All test condition is $V_{CC} = 3.0$ to $3.6V$, $T_A = -40^{\circ}C$ to $85^{\circ}C$, unless otherwise noted.

Symbol	Parameter	Test Conditions	Min	Typ	Max	Unit
V_{TH}	Differential input high threshold	$V_{CM} = 1.2 V$, R_{IN+} , R_{IN-} pin(2)		25	100	mV
V_{TL}	Differential input low threshold		-100	-25		mV
V_{CMR}	Common mode voltage range	$V_{ID} = 200$ mV peak to peak, R_{IN+} , R_{IN-} pin(3)	0.1		2.3	V
I_{IN}	Input current	$V_{CC} = 3.6 V$ or $0 V$, R_{IN+} , R_{IN-} pin		$V_{IN} = 2.8 V$	15	μA
				$V_{IN} = 0 V$	15	μA
		$V_{CC} = 0 V$, $V_{IN} = 3.6 V$, R_{IN+} , R_{IN-} pin	-20	12.5	20	μA
V_{OH}	Output high voltage	$I_{OH} = -0.4$ mA, $V_{ID} = 200$ mV, R_{OUT} pin	2.7	3.3		V
		$I_{OH} = -0.4$ mA, input terminated, R_{OUT} pin	2.7	3.3		V
		$I_{OH} = -0.4$ mA, input shorted, R_{OUT} pin	2.7	3.3		V
V_{OL}	Output low voltage	$I_{OL} = 2$ mA, $V_{ID} = -200$ mV, R_{OUT} pin		0.1	0.25	V
I_{OS}	Output short-circuit current	Enabled, $V_{OUT} = 0 V$, R_{OUT} pin(4)	-15	-80	-120	mA
I_{OZ}	Output TRI-STATE current	Disabled, $V_{OUT} = 0 V$ or V_{CC}	-10	± 0.1	10	μA
V_{IH}	Input high voltage	EN, EN* pins	2		V_{CC}	V
V_{IL}	Input low voltage	EN, EN* pins	GND		0.8	V
I_I	Input current	$V_{IN} = 0 V$ or V_{CC} , other input = V_{CC} or GND, EN, EN* pins	-10		10	μA
V_{CL}	Input clamp voltage	$I_{CL} = -18$ mA, EN, EN* pins		-0.8		V
I_{CC}	No load supply current	EN, EN* = V_{CC} or GND, inputs open, V_{CC} pin		15	20	mA
	Receivers enabled	EN, EN* = 2.4 V or 0.5 V, inputs open, V_{CC} pin		15	20	mA
I_{CCZ}	No load supply current	Receivers disabled, EN = GND, EN* = V_{CC} , inputs open, V_{CC} pin		6	10	mA

Electrical Characteristics – AC Parameter

All test condition is $V_{CC} = 3.0$ to $3.6V$, $T_A = -40^{\circ}C$ to $85^{\circ}C$, unless otherwise noted.

Symbol	Parameter	Test Conditions	Min	Typ	Max	Unit
t_{PHL}	Differential propagation delay, high to low ⁽¹⁾	$C_L = 10$ pF	3.2	4.5	6.2	ns
t_{PLH}	Differential propagation delay, low to high ⁽¹⁾	$V_{ID} = 200$ mV	3.0	4.5	6.2	ns
t_{SKD1}	Differential pulse skew ⁽¹⁾			0.1		ns

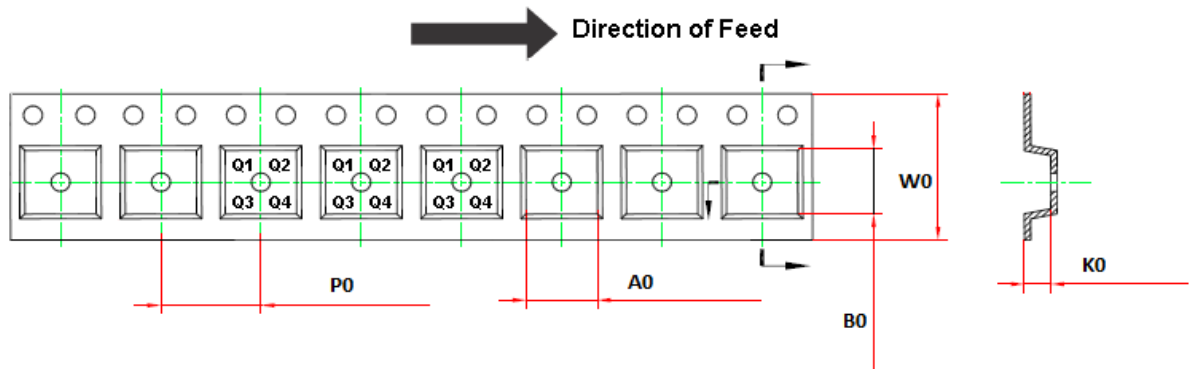
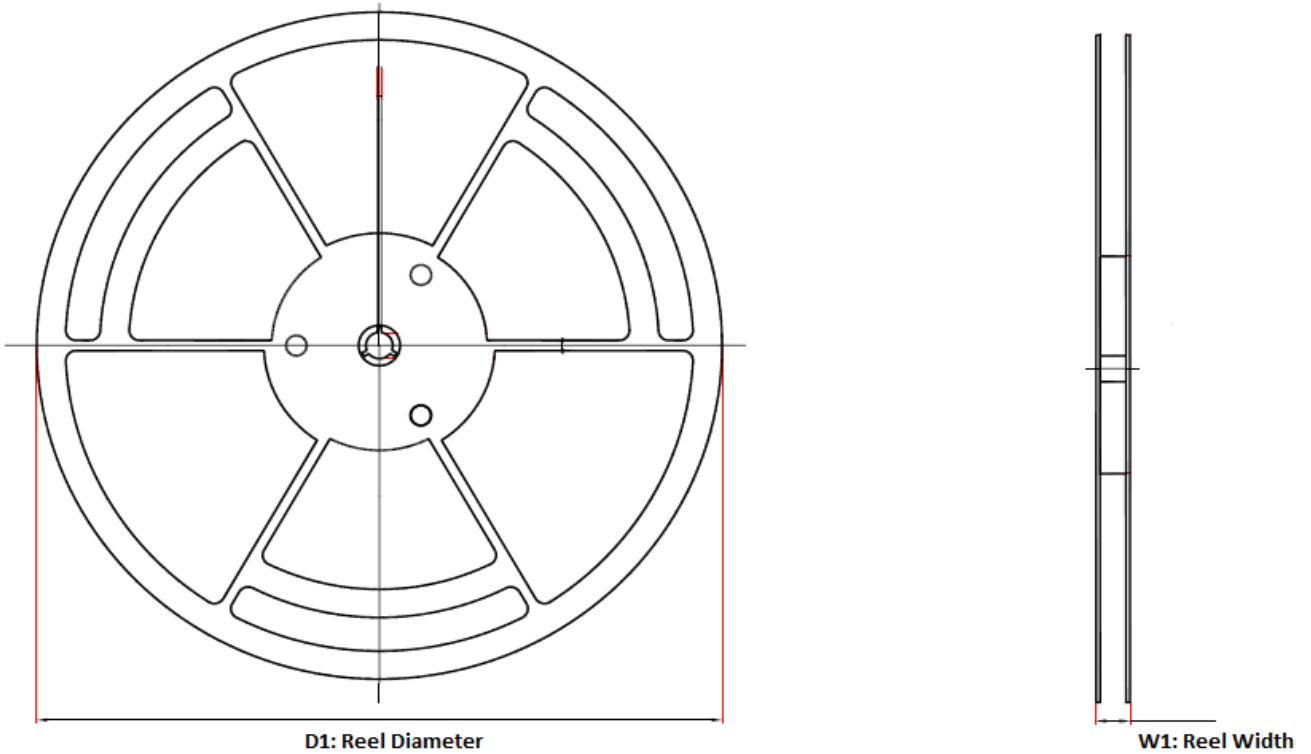
Multipoint-LVDS Line Driver and Receiver

	tPHLD – tPLHD			
tskd2	Differential channel-to-channel skew ⁽¹⁾	Same device	0.1 2.0	ns
tskd3	Differential part-to-part skew ⁽¹⁾	Different device	0.1 2.0	ns
tTLH	Rise time		1.0	ns
tTHL	Fall time		1.0	ns
tpHZ	Disable time high to Z	R _L = 2 kΩ	6	ns
tplZ	Disable time low to Z	C _L = 10 pF	6	ns
tpZH	Enable time Z to high		6	ns
tpZL	Enable time Z to low		4	ns
fMAX	Maximum operating frequency ⁽⁷⁾	All channels switching	200	MHz

Note:

(1): Spec limit is based on bench characterization and design simulation

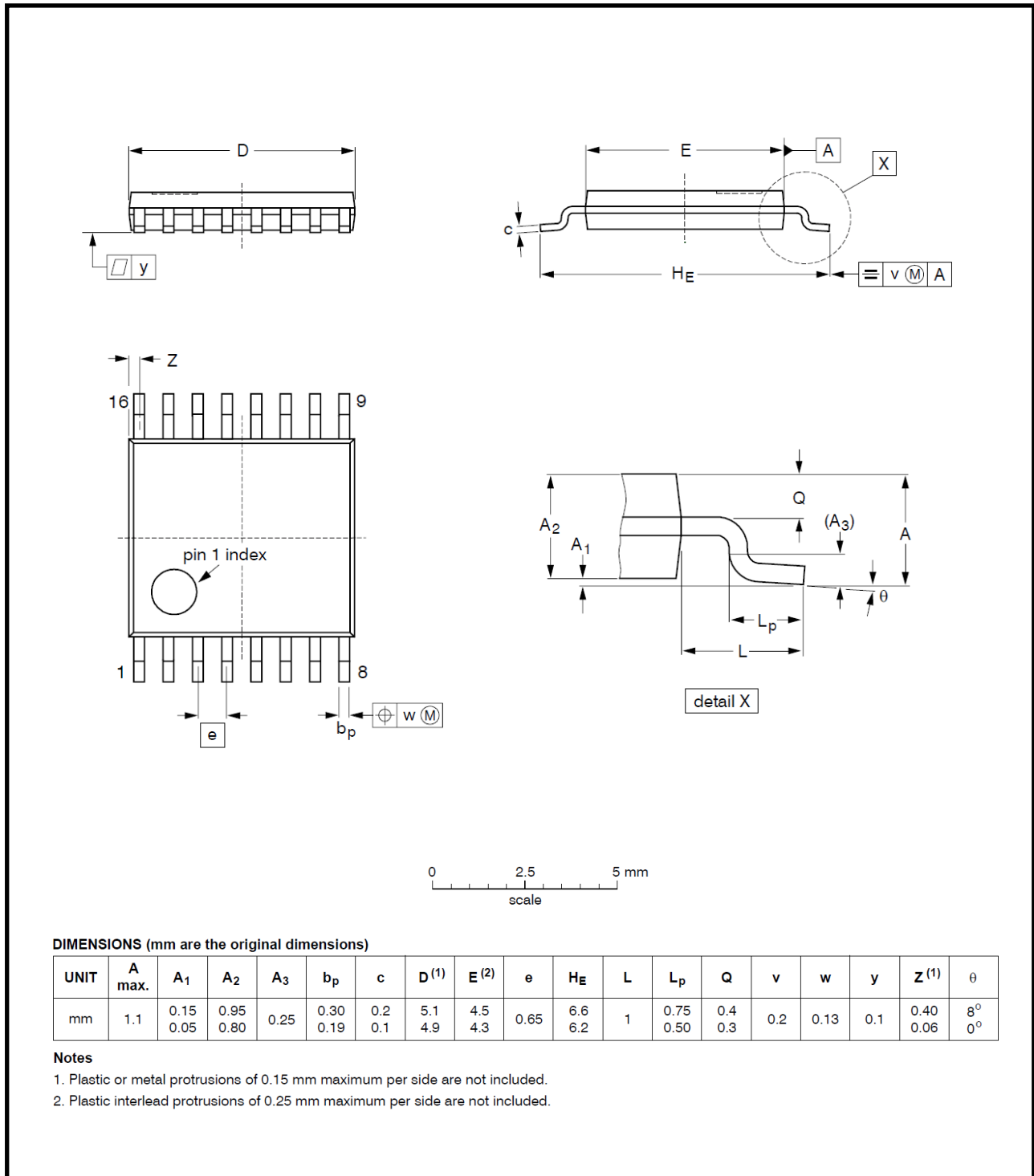
Tape and Reel Information



Order Number	Package	D1	W1	A0	B0	K0	P0	W0	Pin1 Quadrant
TPT9L484L1-TSR-S	TSSOP16	330	17.6	6.8±0.1	5.4±0.1	1.3±0.1	8.0±0.1	12.0±0.1	Q1

Package Outline Dimensions

TSR (TSSOP16)



DIMENSIONS (mm are the original dimensions)

UNIT	A max.	A ₁	A ₂	A ₃	b _p	c	D ⁽¹⁾	E ⁽²⁾	e	H _E	L	L _p	Q	v	w	y	Z ⁽¹⁾	θ
mm	1.1	0.15 0.05	0.95 0.80	0.25	0.30 0.19	0.2 0.1	5.1 4.9	4.5 4.3	0.65	6.6 6.2	1	0.75 0.50	0.4 0.3	0.2	0.13	0.1	0.40 0.06	8° 0°

Notes

1. Plastic or metal protrusions of 0.15 mm maximum per side are not included.
2. Plastic interlead protrusions of 0.25 mm maximum per side are not included.

IMPORTANT NOTICE AND DISCLAIMER

Copyright© 3PEAK 2012-2023. All rights reserved.

Trademarks. Any of the 思瑞浦 or 3PEAK trade names, trademarks, graphic marks, and domain names contained in this document /material are the property of 3PEAK. You may NOT reproduce, modify, publish, transmit or distribute any Trademark without the prior written consent of 3PEAK.

Performance Information. Performance tests or performance range contained in this document/material are either results of design simulation or actual tests conducted under designated testing environment. Any variation in testing environment or simulation environment, including but not limited to testing method, testing process or testing temperature, may affect actual performance of the product.

Disclaimer. 3PEAK provides technical and reliability data (including data sheets), design resources (including reference designs), application or other design recommendations, networking tools, security information and other resources "As Is". 3PEAK makes no warranty as to the absence of defects, and makes no warranties of any kind, express or implied, including without limitation, implied warranties as to merchantability, fitness for a particular purpose or non-infringement of any third-party's intellectual property rights. Unless otherwise specified in writing, products supplied by 3PEAK are not designed to be used in any life-threatening scenarios, including critical medical applications, automotive safety-critical systems, aviation, aerospace, or any situations where failure could result in bodily harm, loss of life, or significant property damage. 3PEAK disclaims all liability for any such unauthorized use.