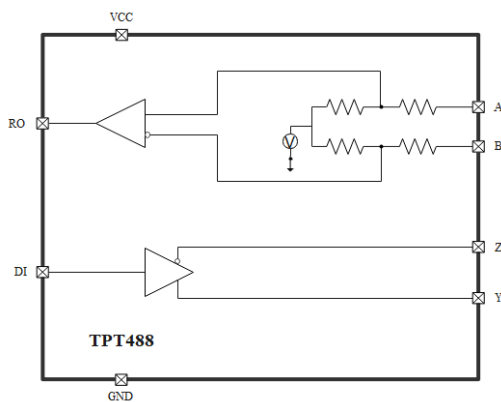


Features

- Exceeds Requirements of Full Duplex EIA-485 Standard
- Hot Plug Circuitry - Tx and Rx Outputs Remain Three-State During Power-up/Power-down
- Supply voltage: 3.0V ~ 5.5V
- Input Common-mode Range: -7V ~ +12 V
- Data Rate: 500 Kbps
- Up to 256 Nodes on a Bus (1/8 unit load)
- Full Fail-safe Receiver (Open, Short, Terminated)
- Bus-Pin Protection:
 - ±20 kV HBM ESD
 - ±12 kV IEC61000-4-2 Contact Discharge
 - ±15 kV IEC61000-4-2 Air Discharge
- -40°C to 125°C Operation Temperature Range

Applications

- Home Appliance
- Motor Drives
- Industrial Control
- Grid Infrastructure
- Video Surveillance
- Communication Infrastructure



Description

The TPT486/488 is IEC61000 ESD protected, which support ± 12 kV IEC contact and ± 15 kV IEC air discharge. 3.0V ~ 5.5V transceivers that meet the RS-485 and RS-422 standards for Full Duplex communication.

Transmitters in this family deliver exceptional differential output voltages into the RS-485 required 54 Ω load. The devices have very low bus currents so they present a true "1/8 unit load" to the RS-485 bus. This allows up to 256 transceivers on the network without using repeaters.

Receiver (Rx) inputs feature a "Full Fail-Safe" design, which ensures a logic high Rx output if Rx inputs are floating, shorted, or on a terminated but undriven bus.

The TPT486/488 is designed for full-duplex RS485, and support SOP14, SOP8 and DFN3X3-8 package, which is characterized from -40°C to 125°C.

Device Table

Part	Duplex	Enable	Data Rate	Package
TPT486	Full	Yes	500 Kbps	SOP14
TPT488	Full	Yes	500 Kbps	SOP8, DFN3X3-8

Simplified Schematic

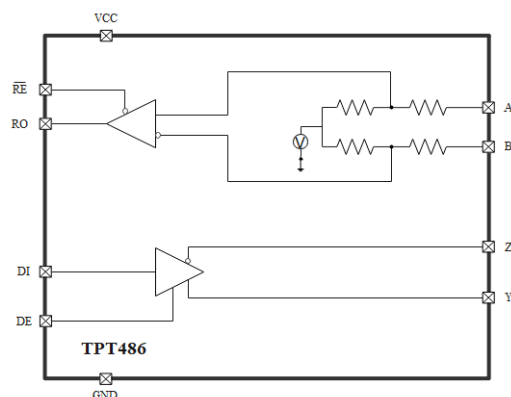


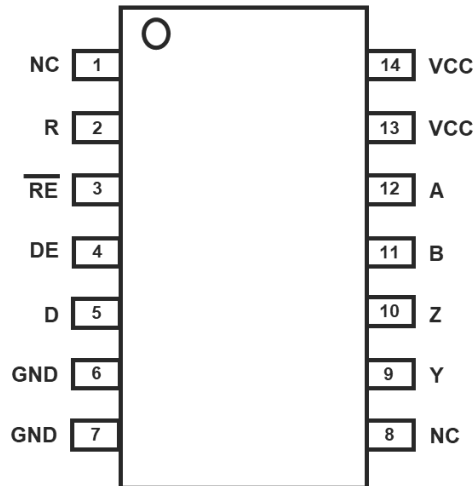
Table of Contents

Features	1
Applications	1
Description	1
Device Table	1
Simplified Schematic	1
Table of Contents	2
Revision History	3
Pin Configuration and Functions – TPT486	4
Pin Configuration and Functions – TPT488	5
Functional Table	5
Absolute Maximum Ratings	6
Thermal Information	7
Electrical Characteristics	8
Test Circuits and Waveforms	11
Test Circuits and Waveforms (continue)	12
Function Block diagram:	13
Theory of Operation	13
Application Information	14
Tape and Reel Information	15
Package Outline Dimensions	16
SO1R (SOP8)	16
DF6R (DFN3x3-8L)	17
Package Outline Dimensions	18
SO2R (SOP14)	18
Order Information	19
IMPORTANT NOTICE AND DISCLAIMER	20

Revision History

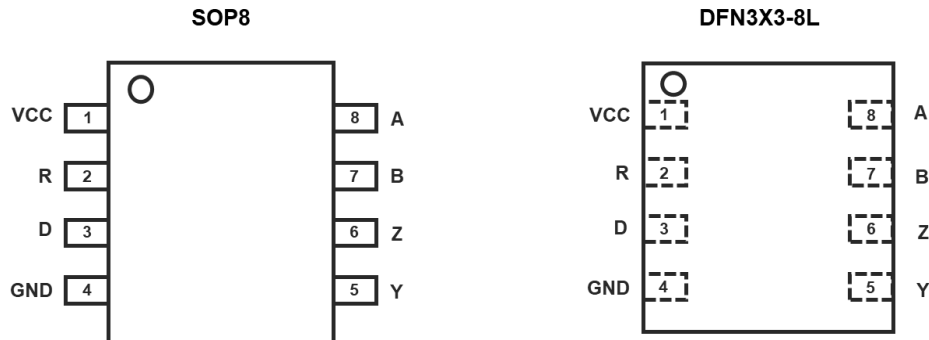
Date	Revision	Notes
2020/12/18	Rev. Pre.0	Definition version Pre.0
2022/02/11	Rev. Pre.1	Add electrical data
2022/06/18	Rev. Pre.2	Update ESD data
2023/01/30	Rev. A.0	Released version

Pin Configuration and Functions – TPT486



Pin No.	Pin Name	I/O	Description
1	NC		
2	R	Digital output	Receiver Output
3	/RE	Digital input	Receiver Output Enable
4	DE	Digital input	Driver Output Enable
5	D	Digital input	Driver Input
6	GND	Ground	Ground
7	GND	Ground	Ground
8	NC		
9	Y	Bus output	Noninverting Driver Output
10	Z	Bus output	Inverting Driver Output
11	B	Bus input	Inverting Receiver Input
12	A	Bus input	Noninverting Receiver Input
13	VCC	Power	Power Supply
14	VCC	Power	Power Supply

Pin Configuration and Functions – TPT488



Pin No.	Pin Name	I/O	Description
1	VCC	Power	Power Supply
2	R	Digital output	Receiver Output
3	D	Digital input	Driver Input
4	GND	Ground	Ground
5	Y	Bus output	Noninverting Driver Output
6	Z	Bus output	Inverting Driver Output
7	B	Bus input	Inverting Receiver Input
8	A	Bus input	Noninverting Receiver Input

Functional Table

Driver Function Table

Input	Enable	Output	Output	Description
D	DE	Y	Z	
H	H	H	L	Actively drives bus High
L	H	L	H	Actively drives bus Low
X	L	Z	Z	Driver disabled
Open	H	H	L	Actively drives bus High by default

X = don't care

Z = high impedance

Receiver Function Table

Input	Input	Output	Description
A-B	/RE	R	
>-50mV	L	H	Receive valid bus High
-200mV<Input<-50mV	L	?	Indeterminate bus state
<-200mV	L	L	Receive valid bus Low
X	H	Z	Receiver disabled
Open	L	H	Fail-safe high output
Short	L	H	Fail-safe high output
Idle (Terminated)	L	H	Fail-safe high output

X = don't care

Z = high impedance

Absolute Maximum Ratings

Parameters	Rating
VCC to GND	-0.3V to +7V
Voltage at Logic pin: D, DE, /RE, R	-0.3V to VCC + 0.3V
Voltage at Bus pin: A, B, Y, Z ⁽¹⁾	-15V to +15V
Operating Temperature Range	-40°C to 125°C
Storage Temperature Range	-65°C to 150°C
Maximum Junction Temperature	150°C
Lead Temperature (Soldering, 10 sec)	260°C

(1) Support ±15V in receiver mode, and -8 ~+13V in driver mode

(2) Stresses beyond the *Absolute Maximum Ratings* may cause permanent damage to the device. These are stress ratings only, which do not imply functional operation of the device at these or any other conditions beyond those indicated under *Recommended Operating Conditions*.

Recommended Operating Conditions

Over operating free-air temperature range (unless otherwise noted)

		MIN	NOM	MAX	UNIT
VCC	Supply voltage	3.0		5.5	V
V _I	Input voltage at any bus terminal ⁽¹⁾	-7		12	V

V _{IH}	High-level input voltage (driver, driver enable, and receiver enable inputs)	2	VCC	V
V _{IL}	Low-level input voltage (driver, driver enable, and receiver enable inputs)	0	0.8	V
V _{ID}	Differential input voltage	-7	12	V
R _L	Differential load resistance	54		Ω
T _A	Operating ambient temperature	-40	125	°C
T _J	Junction temperature	-40	150	°C

(1) The algebraic convention, in which the least positive (most negative) limit is designated as minimum is used in this data sheet.

ESD Rating

		Value	Unit
IEC-61000-4-2, Contact Discharge	Bus Pin	±12	kV
IEC-61000-4-2, Air-Gap Discharge	Bus Pin	±15	kV
HBM, per ANSI/ESDA/JEDEC JS-001 / ANSI/ESD STM5.5.1	Bus Pin	±20	kV
	All Pin Except Bus Pin	±4	kV
CDM, per ANSI/ESDA/JEDEC JS-002	All Pin	±1.5	kV

Thermal Information

Package Type	θ _{JA}	θ _{JC}	Unit
14-Pin SOIC	120	36	°C/W
8-Pin SOP	120	64	°C/W
8-Pin DFN	65	9	°C/W

Electrical Characteristics

All test condition is $V_{CC} = 3.3V \sim 5.0V$, $T_A = -40 \sim +125^\circ C$, unless otherwise noted.

Symbol	Parameter	Test Conditions	Min	MAX	Unit	
V _{OD}	Driver differential output voltage magnitude	R _L = 54 Ω, V _{CC} =3.3V	1.5	2.2	V	
		R _L = 54 Ω, V _{CC} =5.0V	2.0	3.3	V	
		R _L = 100 Ω, V _{CC} = 3.3V	1.5	2.6	V	
		R _L = 100 Ω, V _{CC} = 5.0V	3.0	3.9	V	
Δ V _{OD}	Change in magnitude of driver	R _L = 54 Ω, C _L = 50 pF, 375 Ω on A/B: -7 V to 12V, V _{CC} =3.3V	-50	50	mV	
V _{OC(SS)}	Steady-state common-mode output	Center of two 27-Ω load resistors	1	V _{CC} /2	3	V
ΔV _{OC}	Change in differential driver output		-200	200	mV	
C _{OD}	Differential output capacitance ^[1]		15		pF	
V _{IT+}	Positive-going receiver differential		-110	-50	mV	
V _{IT-}	Negative-going receiver differential		-200	-130	mV	
V _{HYS}	Receiver differential input voltage threshold hysteresis (V _{IT+} - V _{IT-}) ^[1]		50		mV	
V _{OH}	Receiver high-level output voltage	V _{CC} = 3.3 V, I _{OH} = -8 mA	2.6	3.0	V	
		V _{CC} = 5 V, I _{OH} = -8 mA	4.1	4.8		
V _{OL}	Receiver low-level output voltage	V _{CC} = 3.3 V, I _{OH} = -8 mA	0.19	0.4	V	
		V _{CC} = 5 V, I _{OH} = -8 mA	0.02	0.4		
V _{IH}	Input High Logic Level	D, DE, /RE	2.0		V	
V _{IL}	Input Low Logic Level	D, DE, /RE		0.8	V	
I _{IN}	Driver input, driver enable, and	D, DE, /RE	-5	5	μA	
I _{OZ}	Driver output high-Z current	V _O = -7V	-100	0	μA	
		V _O = 12V	0	125		
I _{OZ}	Receiver high-Z current	V _O = 0 V or V _{CC}	-1	1	μA	
I _{OS}	Driver short-circuit output current	V _Y , V _Z = -7V ~ 12V	-250	250	mA	
		V _Y , V _Z = 0V or V _{CC}	-180	180	mA	
I _{IAB}	Bus input current (disabled driver)	DE = 0 V, RE=V _{CC}	V _I = 12 V,	55	125	μA
			V _I = -7 V,	-100	-50	μA
I _{CC}	Supply current (quiescent), 500Kbps	Driver and Receiver enabled	DE=V _{CC} , RE = GND, No load	1000		μA
		Driver enabled, receiver disabled	DE=V _{CC} , RE = V _{CC} , No load	400	1000	μA
		Driver disabled, receiver enabled	DE=GND, RE = GND, No load	400	1000	μA
		Driver and receiver disabled	DE=GND, RE = V _{CC} , No load	-5	5	μA

Note:

[1]. The parameters are provided by lab bench test and design simulation

Switching Characteristics, VCC= 5.0V

Parameter	Conditions	Min	Typ	Max	Units		
Driver							
t_r, t_f	Driver differential-output rise and fall times ^[1]	RL = 54 Ω, CL=50pF	See Figure 2		470	ns	
t_{PHL}, t_{PLH}	Driver propagation delay				450		600
tsk(P)	Driver pulse skew, $ t_{PHL} - t_{PLH} $ ^[1]				6		
t_{PHZ}, t_{PLZ}	Driver disable time	/RE=0 or VCC	See Figure 3		61	100	ns
t_{PZH}, t_{PZL}	Driver enable time	Receiver enabled			216	500	ns
		Receiver disabled		1960	4000		
Receiver							
t_r, t_f	Driver differential-output rise and fall times ^[1]				15		ns
t_{PHL}, t_{PLH}	Receiver propagation delay time				100	150	ns
tsk(P)	Receiver pulse skew, $ t_{PHL} - t_{PLH} $ ^[1]				5		
t_{PHZ}, t_{PLZ}	Receiver disable time	DE=0 or VCC	See Figure 6		20	50	ns
t_{PZL}, t_{PZH}	Receiver enable time	Driver enabled			25	50	ns
		Driver disabled		1760	4000		

Note:

[1]. The parameters are provided by lab bench test and design simulation

Switching Characteristics, VCC=3.3V

Parameter	Conditions	Min	Typ	Max	Units		
Driver							
t_r, t_f	Driver differential-output rise and fall times ^[1]	RL = 54 Ω, CL=50pF	See Figure 2		460	ns	
t_{PHL}, t_{PLH}	Driver propagation delay				460		700
tsk(P)	Driver pulse skew, $ t_{PHL} - t_{PLH} $ ^[1]				4		
t_{PHZ}, t_{PLZ}	Driver disable time	/RE=0 or VCC	See Figure 3		67	200	ns
t_{PZH}, t_{PZL}	Driver enable time	Receiver enabled			350	1000	ns
		Receiver disabled		2870	4000		

Parameter	Conditions	Min	Typ	Max	Units		
Receiver							
t_r, t_f	Driver differential-output rise and fall times ^[1]		20		ns		
t_{PHL}, t_{PLH}	Receiver propagation delay time		115	200	ns		
$t_{SK(P)}$	Receiver pulse skew, $ t_{PHL} - t_{PLH} $ ^[1]		8				
t_{PHZ}, t_{PLZ}	Receiver disable time	DE=0 or VCC		21	40	ns	
t_{PZL}, t_{PZH}	Receiver enable time	Driver enabled	See Figure 6		33	50	ns
		Driver disabled			2560	4000	

Note:

[1]. The parameters are provided by lab bench test and design simulation

Test Circuits and Waveforms

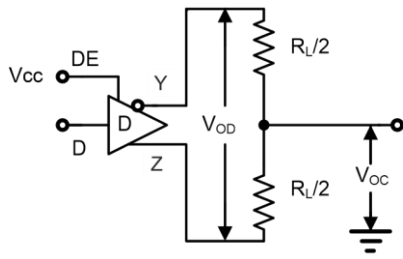


Figure 1A. VOD and VOC

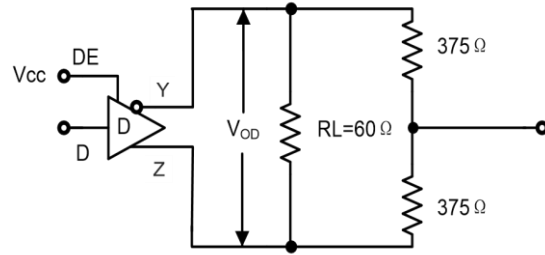


Figure 1B. VOD with Common Mode Load

Figure 1. DC Driver Test Circuits

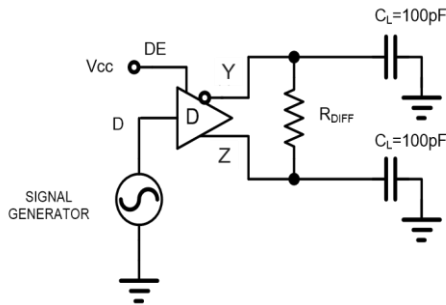


Figure 2A. Test Circuit

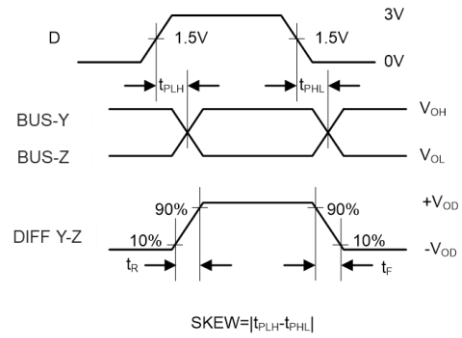


Figure 2B. Measurement Points

Figure 2. Driver Propagation Delay and Differential Transition Times

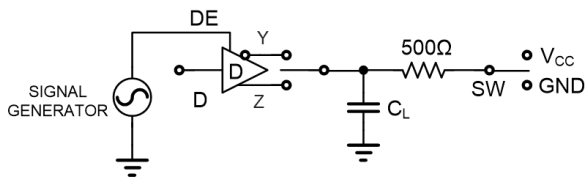


Figure 3A. Test Circuit

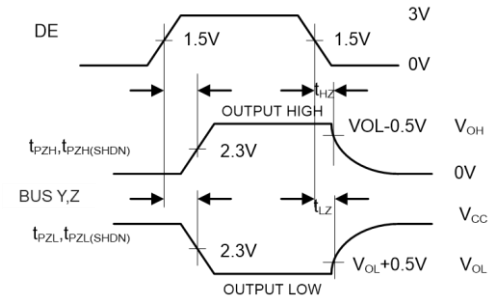


Figure 3B. Measurement Points

PARAMETER	OUTPUT	RE	DI	SW	CL (pF)
tPHZ	Y/Z	X	1/0	GND	15
tPLZ	Y/Z	X	0/1	VCC	15
tPZH	Y/Z	0	1/0	GND	100
tPZL	Y/Z	0	0/1	VCC	100
tPZH(SHDN)	Y/Z	1	1/0	GND	100
tPZL(SHDN)	Y/Z	1	0/1	VCC	100

Figure 3. Driver Enable and Disable Times

Test Circuits and Waveforms (continue)

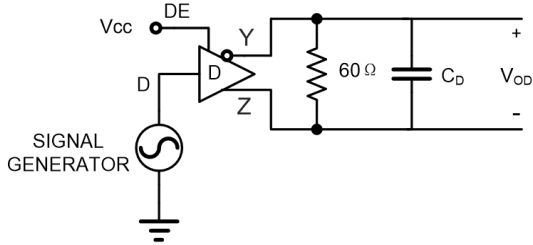


Figure 4A. Test Circuit

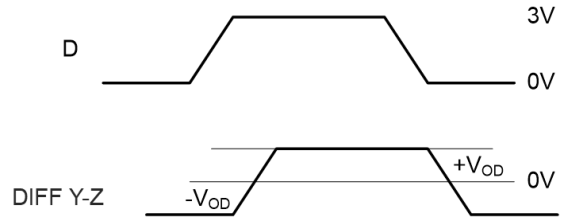


Figure 4B. Measurement Points

Figure 4. Driver Data rate

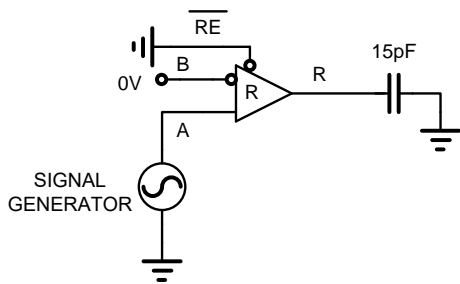


Figure 5A. Test Circuit

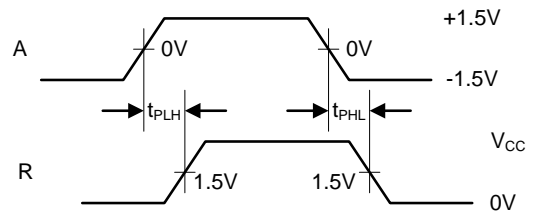


Figure 5B. Measurement Points

Figure 5. Receiver Propagation Delay and Data rate

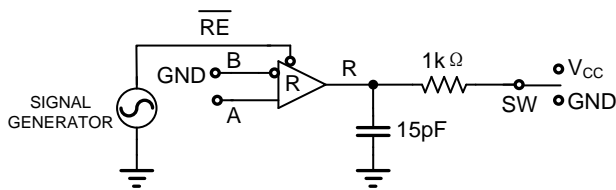


Figure 6A. Test Circuit

PARAMETER	DE	A	SW
tPHZ	1	+1.5V	GND
tPLZ	1	-1.5V	VCC
tPZH	1	+1.5V	GND
tPZL	1	-1.5V	VCC
tPZH(SHDN)	0	+1.5V	GND
tPZL(SHDN)	0	-1.5V	VCC

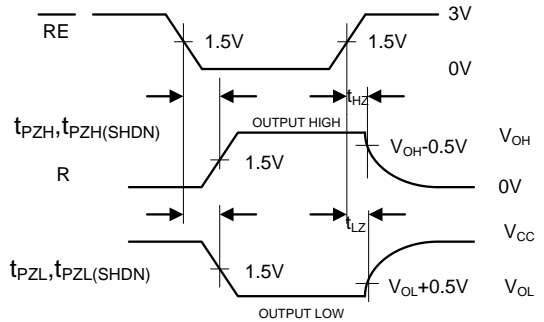
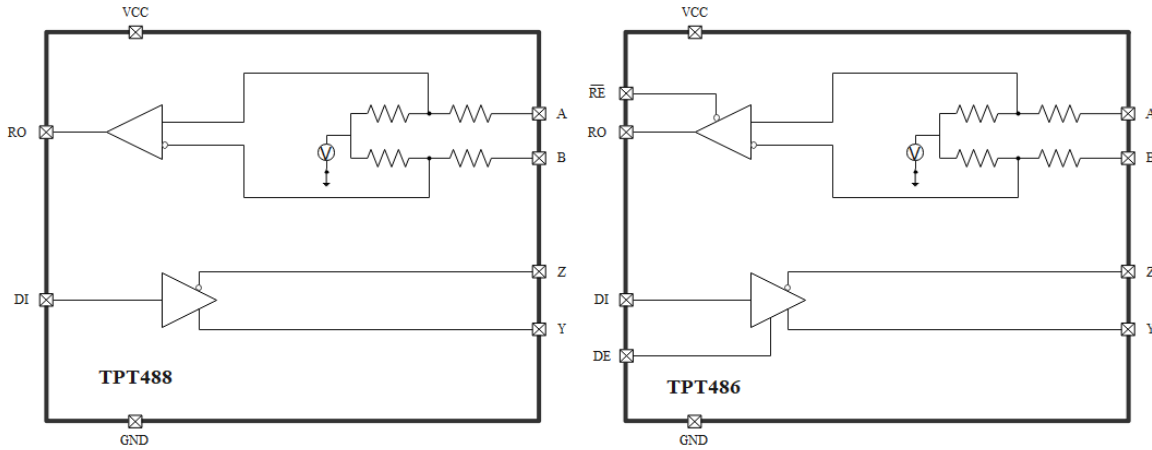


Figure 6B. Measurement Points

Figure 6. Receiver Enable and Disable Times

Function Block diagram:



Theory of Operation

General description

The TPT486/488 is a Full-Duplex RS-485/RS-422 transceivers with robust HBM and IEC 61000 ESD protection. The device build in fail-safe circuit, when the receiver input is open or shorted, or idle mode, it will generate a logic-high receiver output. The TPT486/488 supports hot-swap function allowing line insertion to avoid wrong data transmission, and optimizes the drivers slew-rate to minimize EMI and reduce reflections caused by different terminated cables, then TPT486/488 can support the high communication speed up to 500 Kbps.

The TPT486/488 operates from a single +3.3V to 5.0V power supply, the driver is designed with output short-circuit current limitation, together with thermal-shutdown circuitry to protect drivers in the status of excessive power dissipation. In active mode, the thermal-shutdown circuitry places the driver outputs into a high-impedance state.

In the typical RS485 communication, twisted-pair lines are connected backward in the network.

Application Information

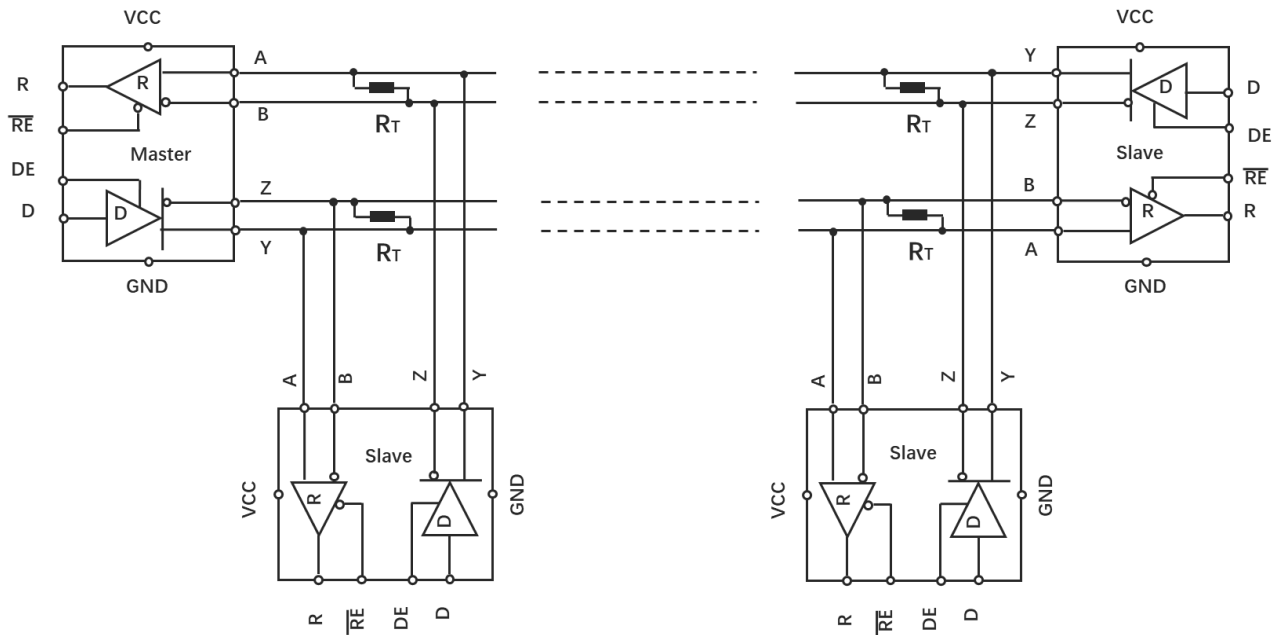
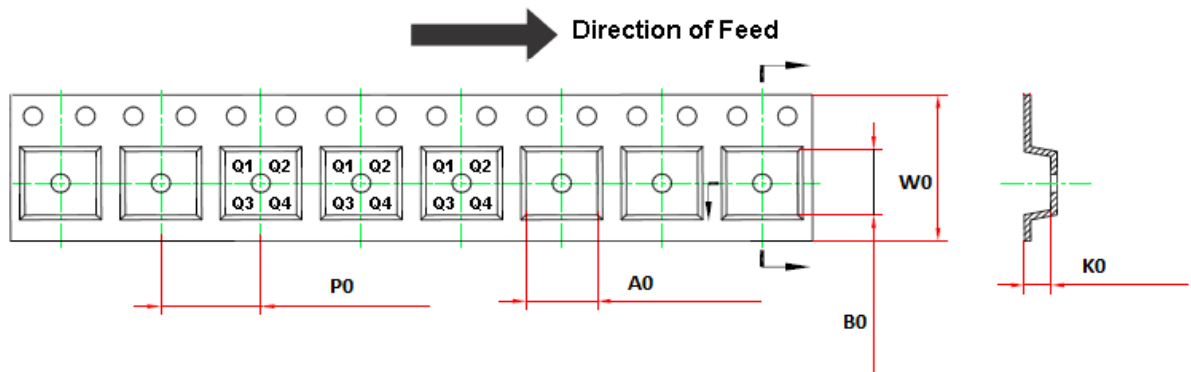
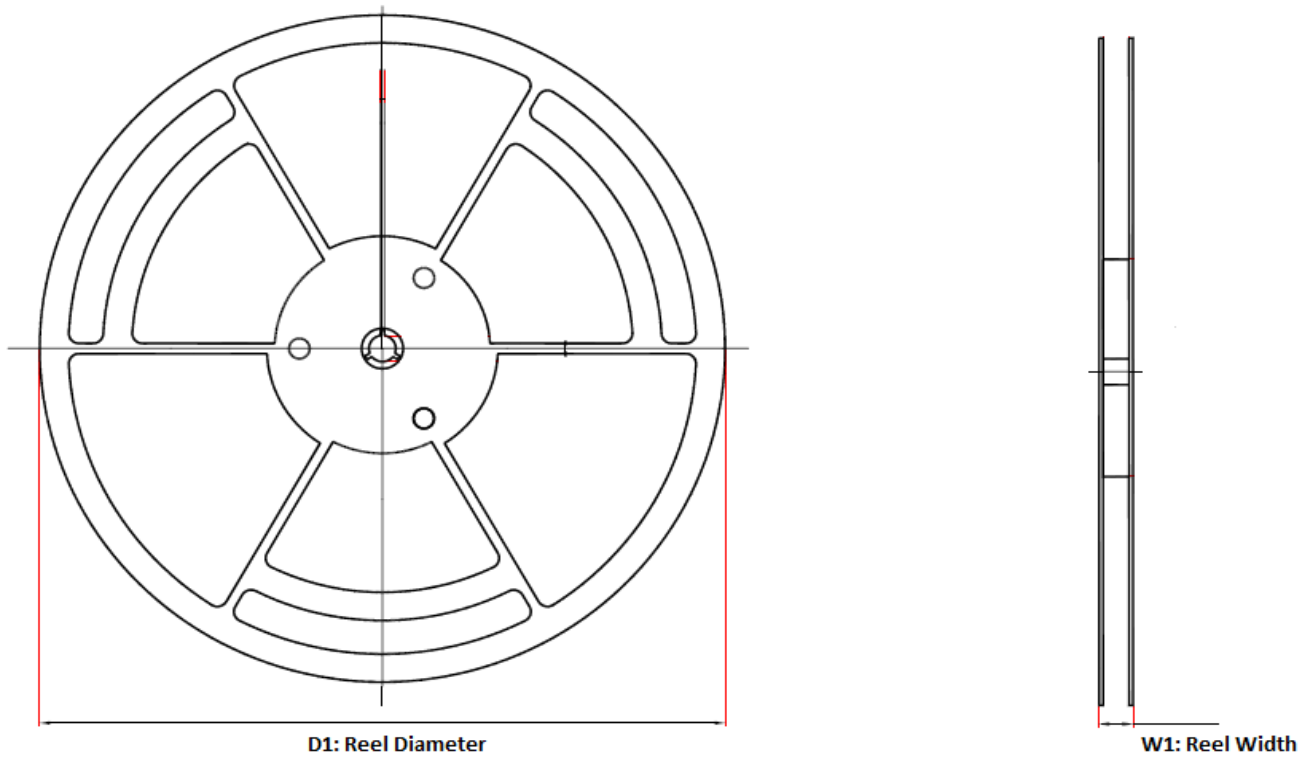


Figure 7. Typical RS485 communication network with enable function

The TPT486/488 transceiver is designed for bidirectional RS485/422 data communications on multipoint bus transmission lines. Figures 7 shows typical network applications circuit to support up to 256 nodes. To minimize line reflections, terminate the line at both ends in its characteristic impedance, one 120ohm load in master side, and another 120ohm load in the end of slave side, and limit stub lengths off the main line as short as possible.

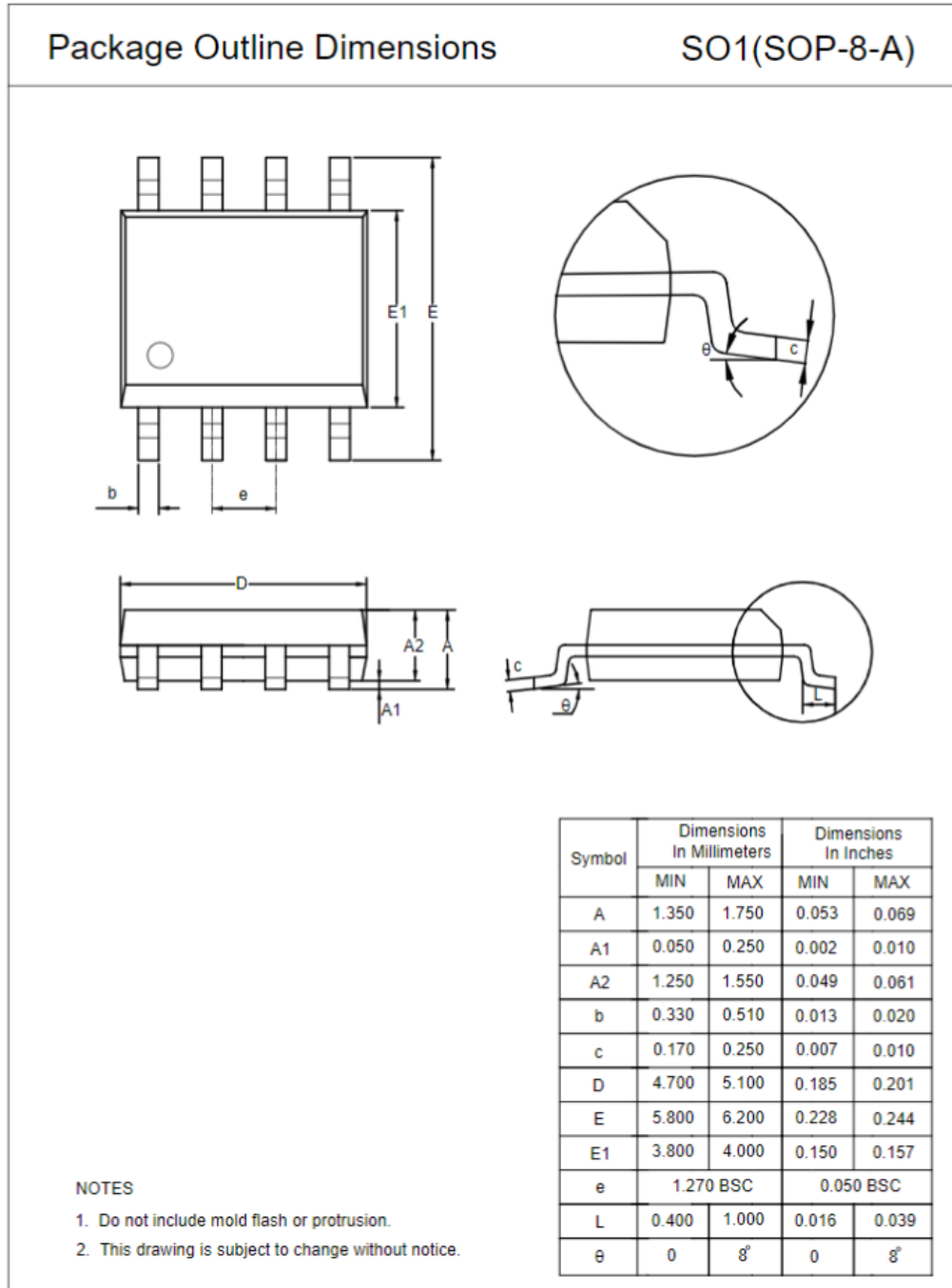
Tape and Reel Information



Order Number	Package	D1	W1	A0	B0	K0	P0	W0	Pin1 Quadrant
TPT486-SO2R	14-Pin SOP	330.0	21.6	6.5	9.0	2.1	8.0	16.0	Q1
TPT488L1-SO1R	8-Pin SOP	330.0	17.6	6.4	5.4	2.1	8.0	12.0	Q1
TPT488-DF6R	DFN3X3-8L	330.0	17.6	3.3	3.3	1.1	8.0	12.0	Q1

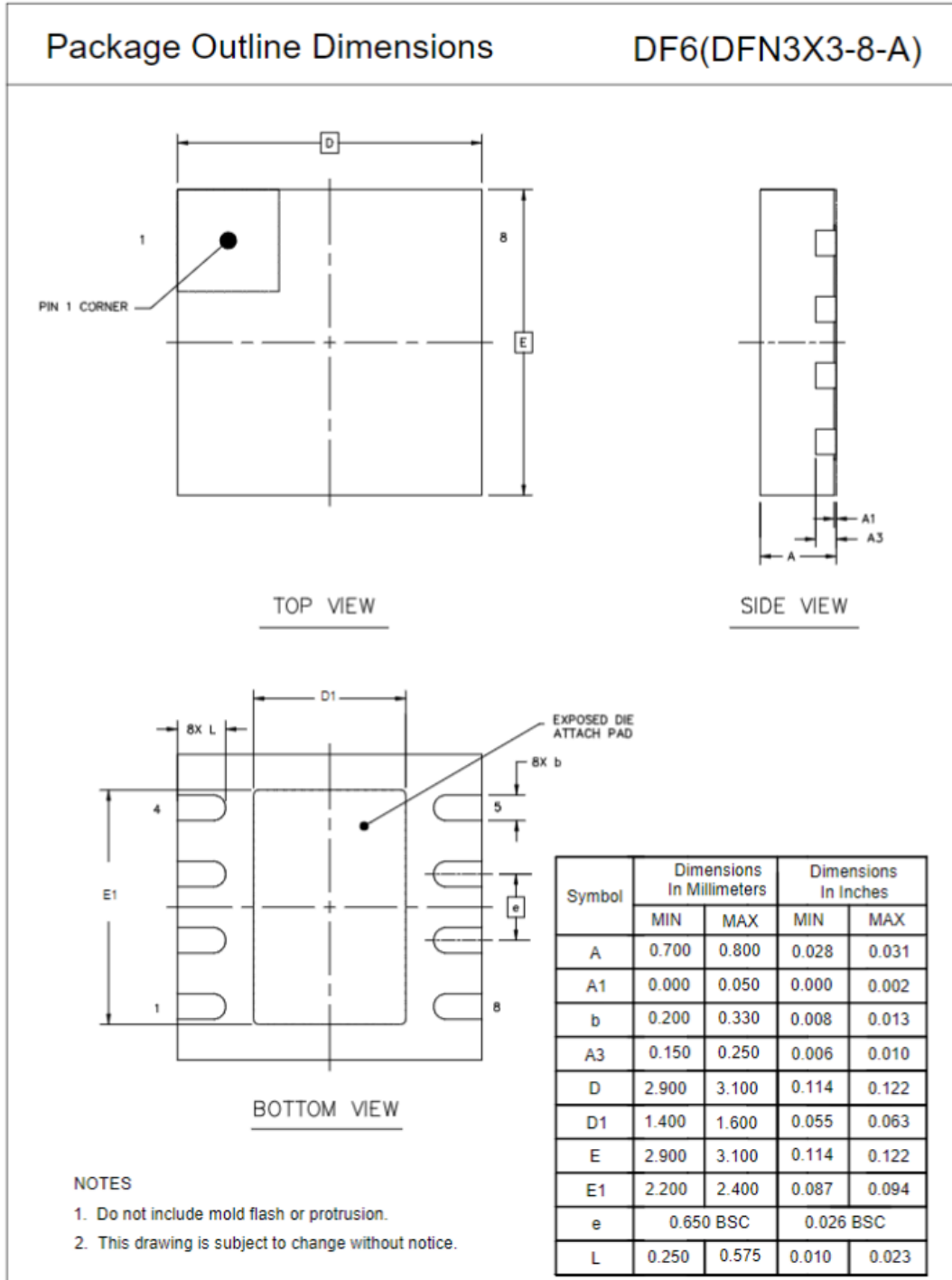
Package Outline Dimensions

SO1R (SOP8)



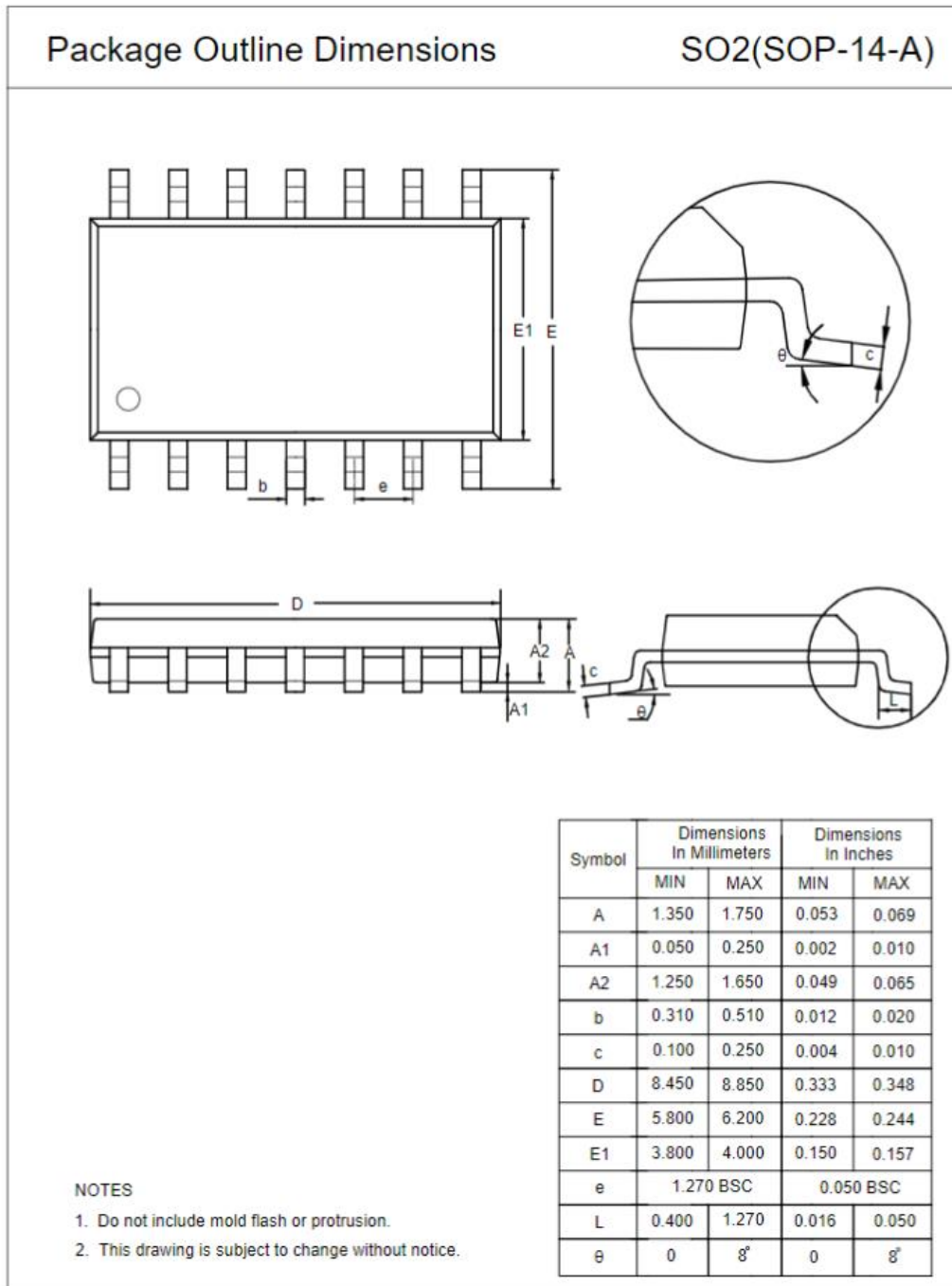
Package Outline Dimensions

DF6R (DFN3x3-8L)



Package Outline Dimensions

SO2R (SOP14)



Order Information

Order Number	Operating Temperature Range	Package	Marking Information	MSL	Transport Media, Quantity	Eco Plan
TPT486-SO2R	-40 to 125°C	14-Pin SOP	T486	MSL3	Tape and Reel, 2,500	Green
TPT488L1-SO1R	-40 to 125°C	8-Pin SOP	T488	MSL1	Tape and Reel, 4000	Green
TPT488-DF6R ⁽¹⁾	-40 to 125°C	8-Pin DFN	T488	MSL3	Tape and Reel, 4000	Green

(1) Future product, contact 3PEAK factory for more information and sample

(2) Green: 3PEAK defines "Green" to mean RoHS compatible and free of halogen substances.

IMPORTANT NOTICE AND DISCLAIMER

Copyright© 3PEAK 2012-2023. All rights reserved.

Trademarks. Any of the 思瑞浦 or 3PEAK trade names, trademarks, graphic marks, and domain names contained in this document /material are the property of 3PEAK. You may NOT reproduce, modify, publish, transmit or distribute any Trademark without the prior written consent of 3PEAK.

Performance Information. Performance tests or performance range contained in this document/material are either results of design simulation or actual tests conducted under designated testing environment. Any variation in testing environment or simulation environment, including but not limited to testing method, testing process or testing temperature, may affect actual performance of the product.

Disclaimer. 3PEAK provides technical and reliability data (including data sheets), design resources (including reference designs), application or other design recommendations, networking tools, security information and other resources "As Is". 3PEAK makes no warranty as to the absence of defects, and makes no warranties of any kind, express or implied, including without limitation, implied warranties as to merchantability, fitness for a particular purpose or non-infringement of any third-party's intellectual property rights. Unless otherwise specified in writing, products supplied by 3PEAK are not designed to be used in any life-threatening scenarios, including critical medical applications, automotive safety-critical systems, aviation, aerospace, or any situations where failure could result in bodily harm, loss of life, or significant property damage. 3PEAK disclaims all liability for any such unauthorized use.