

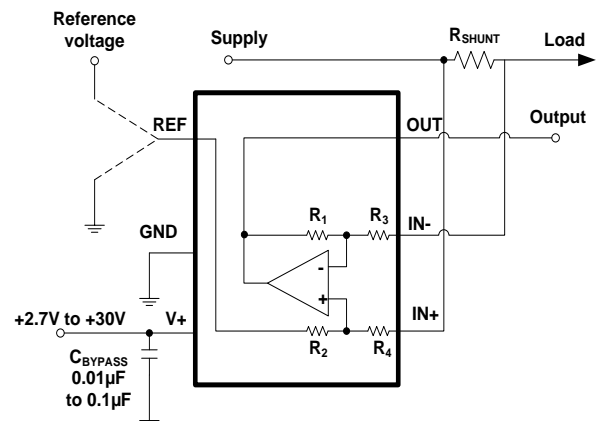
### Features

- Voltage Offset:  $\pm 100 \mu\text{V}$  (MAX)
- Wide Common-Mode Voltage:  $-0.3 \text{ V}$  to  $+36 \text{ V}$
- Supply Voltage:  $2.7 \text{ V}$  to  $+30 \text{ V}$
- Accuracy and Zero-Drift Performance
  - ◆  $\pm 1\%$  Gain Error (Max over temperature)
  - ◆  $0.5\text{-}\mu\text{V}/^\circ\text{C}$  Offset Drift (Max)
  - ◆  $10\text{ppm}/^\circ\text{C}$  Gain Drift (Max)
- Three Gain Options for Voltage Output
  - ◆ TP181A1:  $50 \text{ V/V}$
  - ◆ TP181A2:  $100 \text{ V/V}$
  - ◆ TP181A3:  $200 \text{ V/V}$
- Low Supply Current:  $120 \mu\text{A}$  (TYP)
- Rail-to-Rail Output
- Package: SC70-6
- Industrial  $-40^\circ\text{C}$  to  $125^\circ\text{C}$  Operation Range
- ESD Rating: Robust  $2 \text{ KV}$  – HBM,  $2 \text{ KV}$  – CDM
- Higher Performance Drop-In Compatible with INA213, INA214, INA199, NCS199 Products

### Applications

- Current Sensing (High-Side/Low-Side)
- Battery Chargers
- Power Management
- Cell Phone Charger
- Electrical Cigarette
- Wireless Charger
- Telecom Equipment

### Application schematic



### Description

The TP181 series of zero-drift, bi-directional current sense amplifiers can sense voltage drops across shunts at common-mode voltages from  $-0.3 \text{ V}$  to  $36 \text{ V}$ , independent of the supply voltage. Three fixed gains are available:  $50 \text{ V/V}$ ,  $100 \text{ V/V}$ , and  $200 \text{ V/V}$ . The low offset of the zero-drift architecture enables current sensing with maximum drops across the shunt as low as  $10 \text{ mV}$  full-scale.

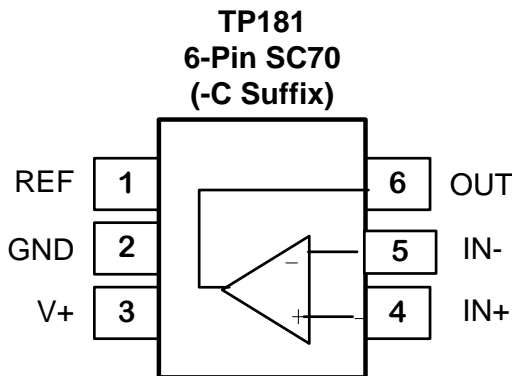
TP181 devices operate from a single  $+2.7\text{-V}$  to  $30\text{-V}$  power supply, with drawing a typical of  $120 \mu\text{A}$  of supply current. All versions are specified from  $-40^\circ\text{C}$  to  $+125^\circ\text{C}$ , and offered in the SC70-6 package.

### GAIN OPTIONS TABLE

Product	Gain	R3 and R4	R1 and R2
TP181A1	50	$20\text{k}\Omega$	$1\text{M}\Omega$
TP181A2	100	$10\text{k}\Omega$	$1\text{M}\Omega$
TP181A3	200	$5\text{k}\Omega$	$1\text{M}\Omega$

$$V_{OUT} = (I_{LOAD} \times R_{SHUNT})GAIN + V_{REF}$$

### Pin Configuration



### Order Information

Model Name	Order Number	Gain	Package	Transport Media, Quantity	Package Marking
TP181	TP181A1-CR	50V/V	6-Pin SC70	Tape and Reel, 3,000	
	TP181A2-CR	100V/V	6-Pin SC70	Tape and Reel, 3,000	9A2
	TP181A3-CR	200V/V	6-Pin SC70	Tape and Reel, 3,000	9A3

### Absolute

### Maximum

### Ratings

Note

1

Supply Voltage .....42V  
 Input Voltage.....GND– 0.3 to 42V  
 Input Current: +IN, –IN <sup>Note 2</sup>.....±10mA  
 Output Current: OUT..... ±35mA

Current at Supply Pins..... ±60mA  
 Operating Temperature Range.....–40°C to 125°C  
 Maximum Junction Temperature..... 150°C  
 Storage Temperature Range..... –65°C to 150°C  
 Lead Temperature (Soldering, 10 sec) ..... 260°C

**Note 1:** Stresses beyond those listed under Absolute Maximum Ratings may cause permanent damage to the device. Exposure to any Absolute Maximum Rating condition for extended periods may affect device reliability and lifetime.

**Note 2:** The input current should be limited to less than 10mA if input voltage exceeds the absolute maximum ratings.

### ESD, Electrostatic Discharge Protection

Symbol	Parameter	Condition	Minimum Level	Unit
HBM	Human Body Model ESD	ANSI/ESDA/JEDEC JS-001	±2	kV
CDM	Charged Device Model ESD	ANSI/ESDA/JEDEC JS-002	±2	kV

### Thermal Resistance

**Zero-Drift, Bi-directional Current Sense Amplifier**

Package Type	$\theta_{JA}$	$\theta_{JC}$	Unit
6-Pin SC70	227	80	°C/W

## Electrical Characteristics

The specifications are at  $T_A = 25^\circ\text{C}$ ,  $V_{\text{SENSE}} = V_{\text{IN}+} - V_{\text{IN}-}$ ,  $V_S = 5\text{ V}$ ,  $V_{\text{IN}+} = 12\text{V}$ , and  $V_{\text{REF}} = V_S / 2$ , unless otherwise noted

Symbol	Parameter	Conditions	Min	Typ	Max	Unit
<b>Input</b>						
$V_{\text{OS}}$	Input Offset Voltage	$V_{\text{SENSE}} = 0\text{ mV}$		$\pm 10$	$\pm 100$	$\mu\text{V}$
$V_{\text{OS TC}}$	Input Offset Voltage Drift	$V_{\text{SENSE}} = 0\text{ mV}$ , $-40^\circ\text{C}$ to $125^\circ\text{C}$		0.1	0.5	$\mu\text{V}/^\circ\text{C}$
$V_{\text{CM}}$	Common-mode Input Range	$-40^\circ\text{C}$ to $125^\circ\text{C}$	-0.3		36	V
CMRR	Common Mode Rejection Ratio	$V_{\text{IN}+} = 5\sim 26\text{ V}$ , $V_{\text{SENSE}} = 0\text{ mV}$ , $-40^\circ\text{C}$ to $125^\circ\text{C}$	95	120		dB
$I_B$	Input Bias Current	$V_{\text{SENSE}} = 0\text{ mV}$		35		$\mu\text{A}$
$I_{\text{OS}}$	Input Offset Current	$V_{\text{SENSE}} = 0\text{ mV}$		0.4		$\mu\text{A}$
PSRR	Power Supply Rejection Ratio	$V_S = +2.7\sim 18\text{V}$ , $V_{\text{IN}+} = +18\text{V}$ , $V_{\text{SENSE}} = 0\text{ mV}$		$\pm 1$		$\mu\text{V}/\text{V}$
<b>Noise Rti</b> <small>Note 4</small>						
$e_n$	Input Voltage Noise Density	$f = 1\text{kHz}$		30		$\text{nV}/\sqrt{\text{Hz}}$
<b>Output</b>						
G	Gain	TP181A1		50		V/V
		TP181A2		100		V/V
		TP181A3		200		V/V
GE	Gain Error	$V_{\text{SENSE}} = -5\sim 5\text{mV}$ , $-40^\circ\text{C}$ to $125^\circ\text{C}$		$\pm 0.1\%$	$\pm 1\%$	
GE TC	Gain Error Vs Temperature	$-40^\circ\text{C}$ to $125^\circ\text{C}$		3	10	ppm
$C_{\text{LOAD}}$	Maxim capacitive load	No oscillation		1		nF
$V_{\text{OH}}$	Output Swing from Supply Rail	$R_{\text{LOAD}} = 10\text{k}\Omega$ to REF, $-40^\circ\text{C}$ to $125^\circ\text{C}$		0.02	0.05	V
$V_{\text{OL}}$	Output Swing from Supply Rail	$R_{\text{LOAD}} = 10\text{k}\Omega$ to REF, $-40^\circ\text{C}$ to $125^\circ\text{C}$		0.01	0.05	V
<b>Frequency Response</b>						
BW	Bandwidth	$C_{\text{LOAD}} = 10\text{pF}$ , TP181A1		48		kHz
		$C_{\text{LOAD}} = 10\text{pF}$ , TP181A2		30		kHz
		$C_{\text{LOAD}} = 10\text{pF}$ , TP181A3		20		kHz
SR	Slew Rate			0.6		$\text{V}/\mu\text{s}$
<b>Power Supply</b>						
$V_+$	Supply Voltage		2.7		30	V
$I_Q$	Quiescent Current	$V_{\text{SENSE}} = 0\text{ mV}$		120	150	$\mu\text{A}$
<b>Temperature Range</b>						
	Specified range		-40		125	$^\circ\text{C}$
	Operating range		-55		150	$^\circ\text{C}$

**Note 4:** RTI = referred to input

### Typical Performance Characteristics

The TP181A1 is used for characteristics at TA = 25°C, VS = 5 V, VIN+ =12 V, and VREF=VS/2, unless otherwise noted

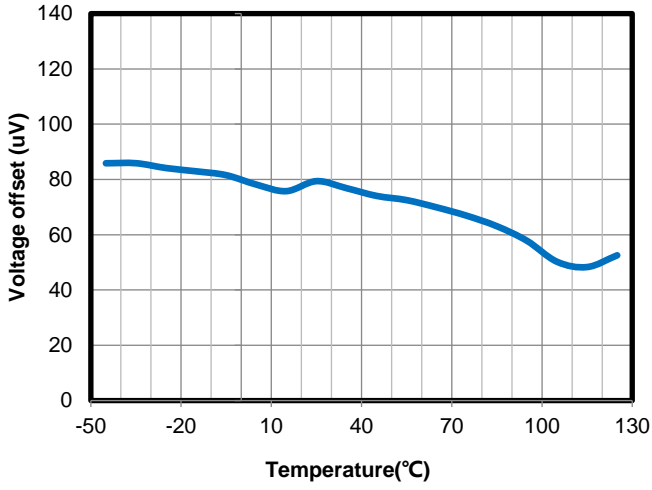


Figure 1

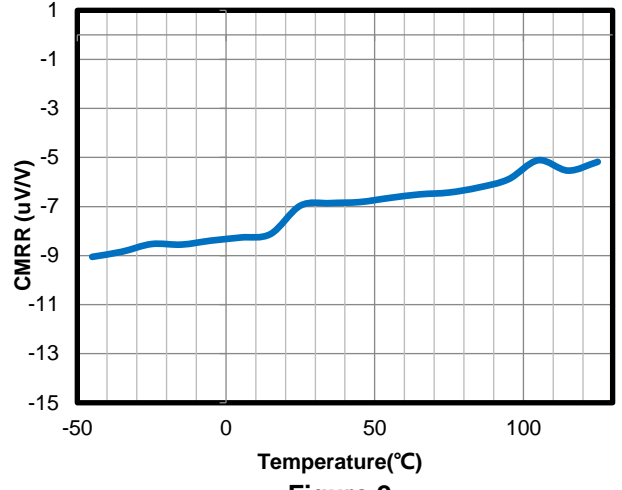


Figure 2

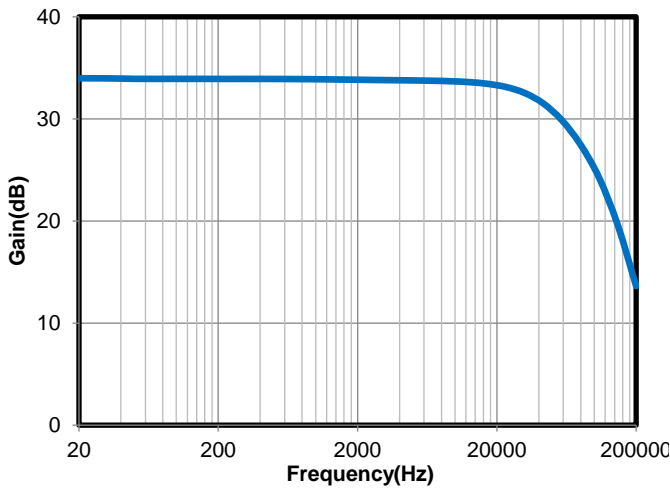


Figure 3

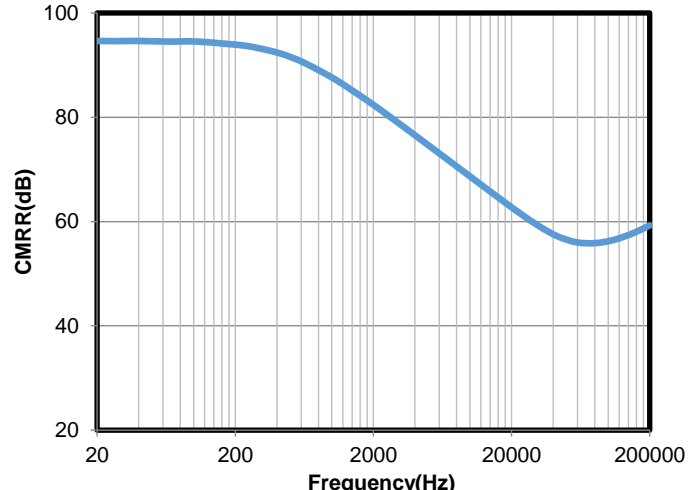


Figure 4

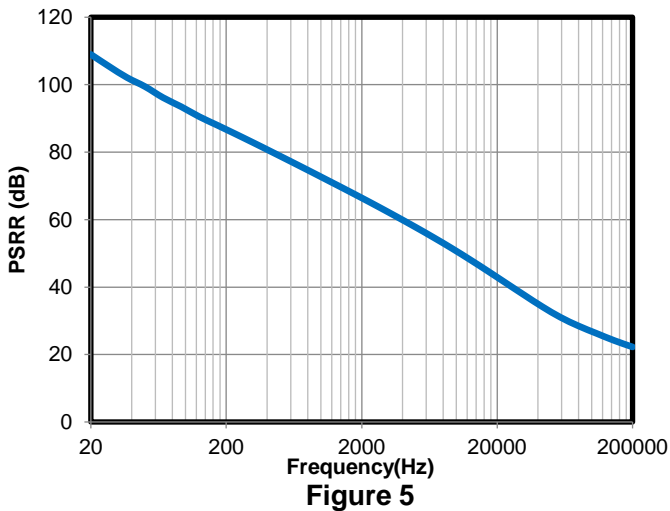


Figure 5

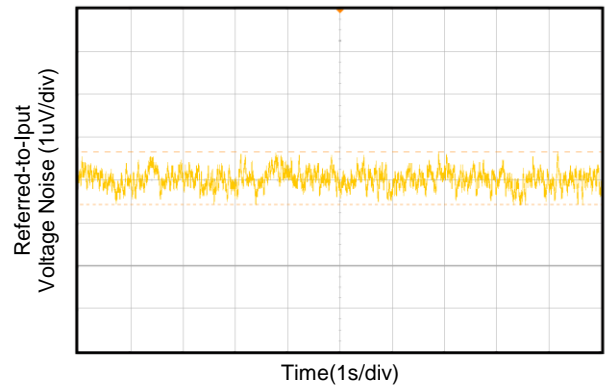
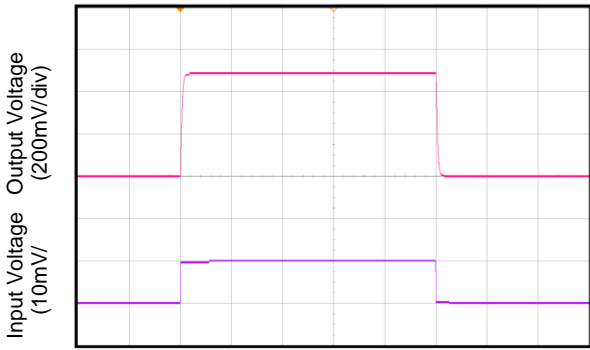


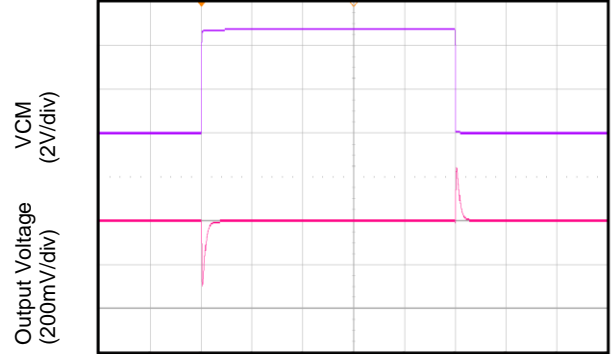
Figure 6

### Typical Performance Characteristics

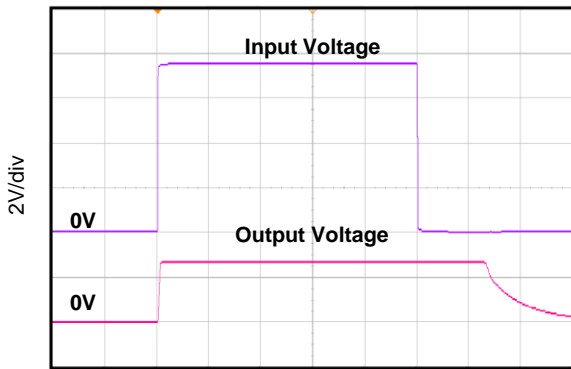
The TP181A1 is used for characteristics at  $T_A = 25^\circ\text{C}$ ,  $V_S = 5\text{ V}$ ,  $V_{IN+} = 12\text{ V}$ , and  $V_{REF} = V_S/2$ , unless otherwise noted



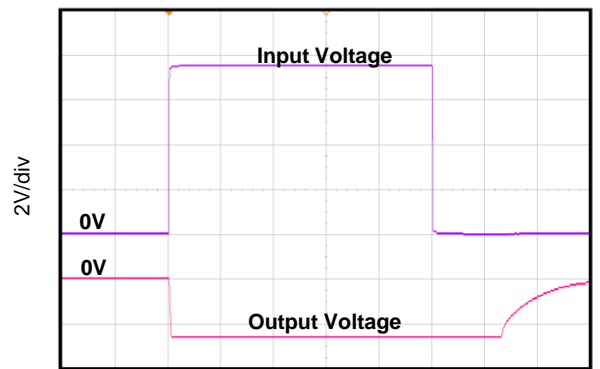
Time(100us/div)  
**Figure 7**



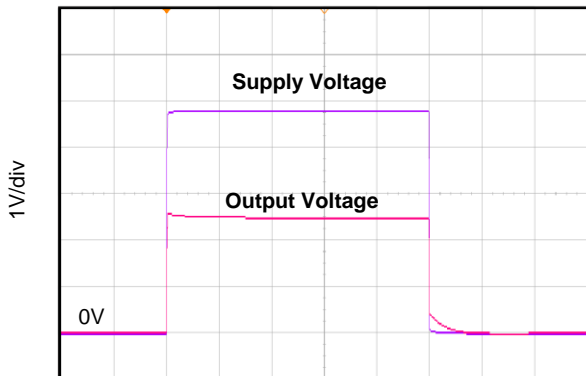
Time(50us/div)  
**Figure 8**



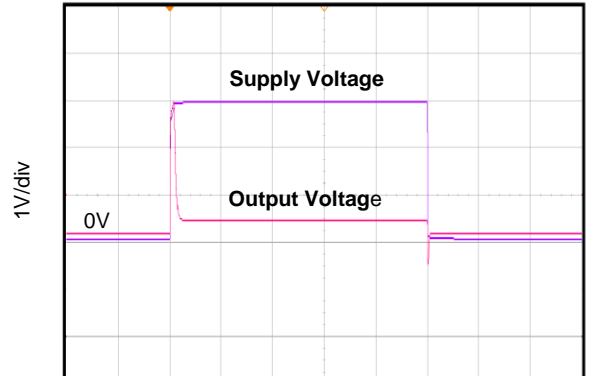
Time(100us/div)  
**Figure 9**



Time(100us/div)  
**Figure 10**



Time(100us/div)  
**Figure 11**



Time(100us/div)  
**Figure 12**

## Typical Performance Characteristics

The TP181A1 is used for characteristics at  $T_A = 25^\circ\text{C}$ ,  $V_S = 5\text{ V}$ ,  $V_{IN+} = 12\text{ V}$ , and  $V_{REF} = V_S/2$ , unless otherwise noted

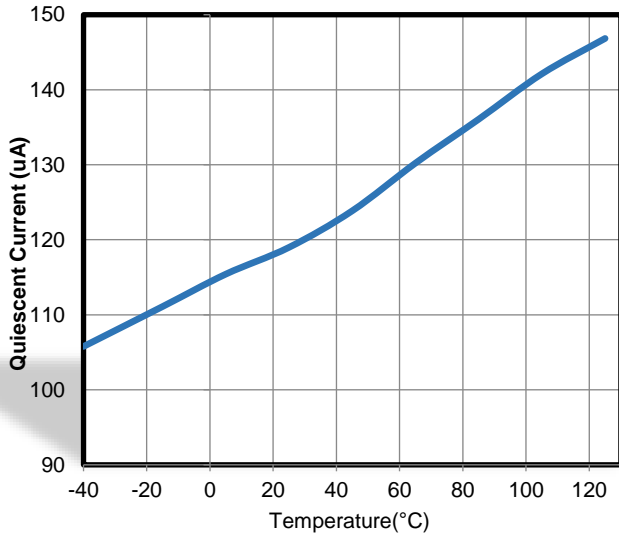


Figure 13

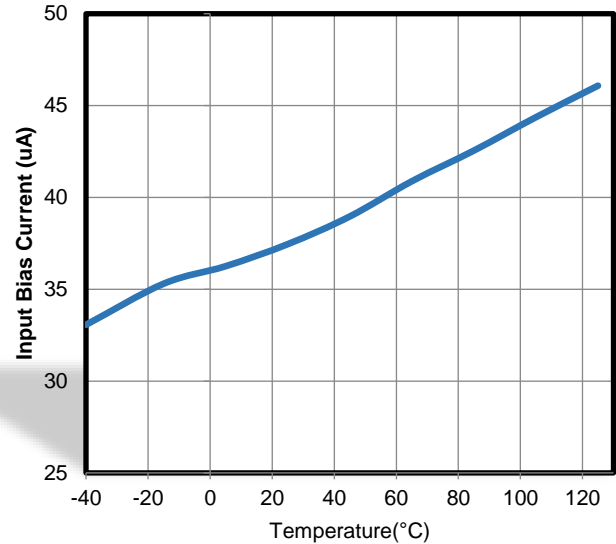
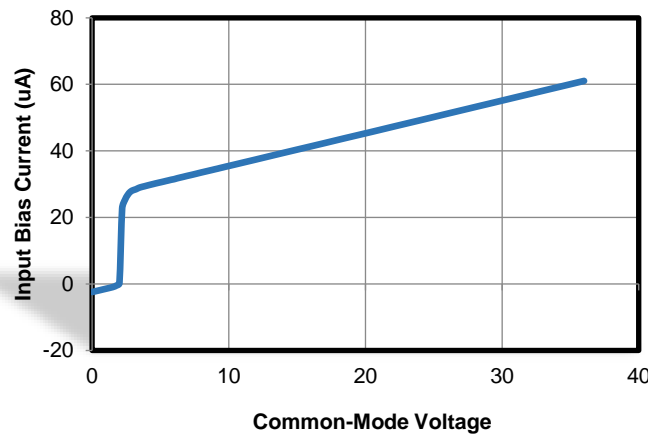


Figure 14



Common-Mode Voltage  
Figure 15

## Pin Functions

**IN-**: Inverting Input of the Amplifier.

**IN+**: Non-Inverting Input of Amplifier.

**OUT**: Amplifier Output. The voltage range extends to within mV of each supply rail.

**REF**: Reference voltage

**V+**: Positive Power Supply. Typically, the voltage is from 2.7V to 30V. A bypass capacitor of 0.1μF as close to the part as possible should be used between power supply pin and ground pin.

**GND**: Negative Power Supply.

## Operation Overview

The TP181 family is 36V common-mode, zero-drift topology, current-sensing amplifiers that can be used in both low-side and high-side configurations. These specially-designed, current-sensing amplifiers are able to accurately measure voltages developed

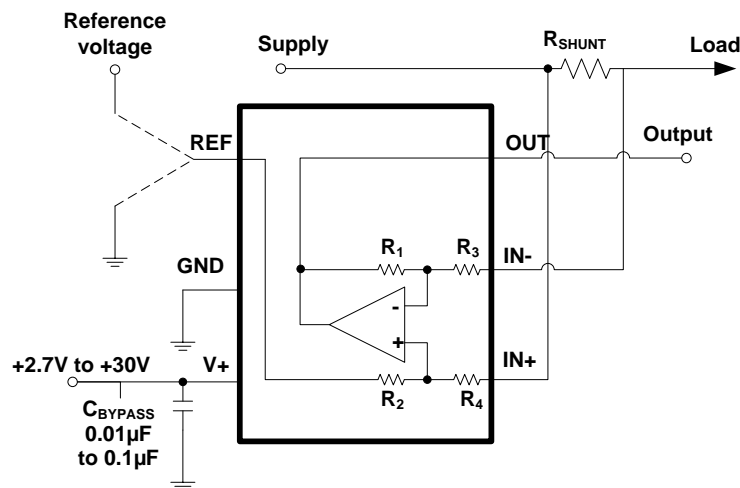
## Zero-Drift, Bi-directional Current Sense Amplifier

across current-sensing resistors on common-mode voltages that far exceed the supply voltage powering the device. Current can be measured on input voltage rails as high as 36 V while the device can be powered from supply voltages as low as 2.7 V.

The zero-drift topology enables high-precision measurements with maximum input offset voltages as low as 100 $\mu$ V with a maximum temperature contribution of 0.5  $\mu$ V/ $^{\circ}$ C over the full temperature range of  $-40^{\circ}$ C to  $125^{\circ}$ C.

## Applications Information

### Application schematic



The above figure shows the basic connections of the TP181. The input pins, IN+ and IN-, should be connected as closely as possible to the shunt resistor to minimize any resistance in series with the shunt resistor.

Power-supply bypass capacitors are required for stability. Applications with noisy or high-impedance power supplies may require additional decoupling capacitors to reject power-supply noise. Connect bypass capacitors close to the device pins.

### Selecting RSHUNT

The zero-drift offset performance of the TP181 offers several benefits. Most often, the primary advantage of the low offset characteristic enables lower full-scale drops across the shunt. For example, nonzero-drift current shunt monitors typically require a full-scale range of 100 mV.

The TP181 family gives equivalent accuracy at a full-scale range on the order of 10 mV. This accuracy reduces shunt dissipation by an order of magnitude with many additional benefits.

Alternatively, there are applications that must measure current over a wide dynamic range that can take advantage of the low offset on the low end of the measurement. Most often, these applications can use the lower gains of the TP181 to accommodate larger shunt drops on the upper end of the scale. For instance, a TP181A1 operating on a 3.3-V supply can easily handle a full-scale shunt drop of 60 mV, with only 100- $\mu$ V of offset.

### REF Input Impedance Effects

As with any difference amplifier, the TP181 family common-mode rejection ratio is affected by any impedance present at the REF input. This concern is not a problem when the REF pin is connected directly to most references or power supplies. When using resistive dividers from the power supply or a reference voltage, the REF pin should be buffered by an op-amp.

### Power Supply Recommendation



## Zero-Drift, Bi-directional Current Sense Amplifier

The input circuitry of the TP181 can accurately measure beyond its power-supply voltage,  $V+$ . For example, the  $V+$  power supply can be 5 V, whereas the load power-supply voltage can be as high as 30 V. However, the output voltage range of the OUT pin is limited by the voltages on the power-supply pin. Note also that the TP181 can withstand the full input signal range up to 36 V at the input pins, regardless of whether the device has power applied or not.

### Proper Board Layout

To ensure optimum performance at the PCB level, care must be taken in the design of the board layout. To avoid leakage currents, the surface of the board should be kept clean and free of moisture. Coating the surface creates a barrier to moisture accumulation and helps reduce parasitic resistance on the board.

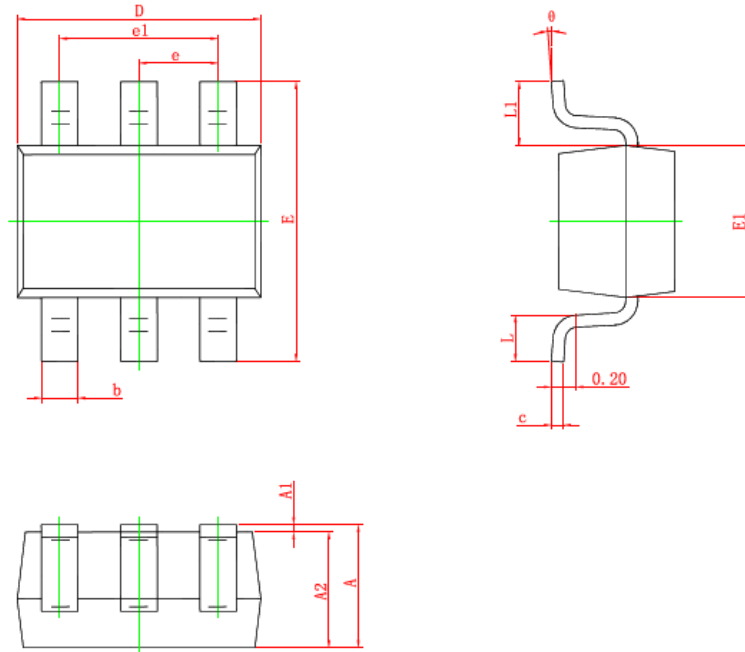
Keeping supply traces short and properly bypassing the power supplies minimizes power supply disturbances due to output current variation, such as when driving an AC signal into a heavy load. Bypass capacitors should be connected as closely as possible to the device supply pins. Stray capacitances are a concern at the outputs and the inputs of the amplifier. It is recommended that signal traces be kept at least 5mm from supply lines to minimize coupling.

A variation in temperature across the PCB can cause a mismatch in the Seebeck voltages at solder joints and other points where dissimilar metals are in contact, resulting in thermal voltage errors. To minimize these thermocouple effects, orient resistors so heat sources warm both ends equally. Input signal paths should contain matching numbers and types of components, where possible to match the number and type of thermocouple junctions. For example, dummy components such as zero-value resistors can be used to match real resistors in the opposite input path. Matching components should be located in close proximity and should be oriented in the same manner. Ensure leads are of equal length so that thermal conduction is in equilibrium. Keep heat sources on the PCB as far away from amplifier input circuitry as is practical.

The use of a ground plane is highly recommended. A ground plane reduces EMI noise and helps to maintain a constant temperature across the circuit board.

Package Outline Dimensions

SC70-6 /SOT-363



Symbol	Dimensions In Millimeters		Dimensions In Inches	
	Min.	Max.	Min.	Max.
A	0.900	1.100	0.035	0.043
A1	0.000	0.100	0.000	0.004
A2	0.900	1.000	0.035	0.039
b	0.150	0.350	0.006	0.014
c	0.110	0.175	0.004	0.007
D	2.000	2.200	0.079	0.087
E	2.150	2.450	0.085	0.096
E1	1.150	1.350	0.045	0.053
e	0.650 TYP.		0.026 TYP.	
e1	1.200	1.400	0.047	0.055
L	0.260	0.460	0.010	0.018
L1	0.525 REF.		0.021 REF.	
θ	0°	8°	0°	8°

## IMPORTANT NOTICE AND DISCLAIMER

**Copyright**© 3PEAK 2012-2023. All rights reserved.

**Trademarks.** Any of the 思瑞浦 or 3PEAK trade names, trademarks, graphic marks, and domain names contained in this document /material are the property of 3PEAK. You may NOT reproduce, modify, publish, transmit or distribute any Trademark without the prior written consent of 3PEAK.

**Performance Information.** Performance tests or performance range contained in this document/material are either results of design simulation or actual tests conducted under designated testing environment. Any variation in testing environment or simulation environment, including but not limited to testing method, testing process or testing temperature, may affect actual performance of the product.

**Disclaimer.** 3PEAK provides technical and reliability data (including data sheets), design resources (including reference designs), application or other design recommendations, networking tools, security information and other resources "As Is". 3PEAK makes no warranty as to the absence of defects, and makes no warranties of any kind, express or implied, including without limitation, implied warranties as to merchantability, fitness for a particular purpose or non-infringement of any third-party's intellectual property rights. Unless otherwise specified in writing, products supplied by 3PEAK are not designed to be used in any life-threatening scenarios, including critical medical applications, automotive safety-critical systems, aviation, aerospace, or any situations where failure could result in bodily harm, loss of life, or significant property damage. 3PEAK disclaims all liability for any such unauthorized use.